



Registration No.....

**Bhartiya Skill Development University**  
**School of General Education**  
**II In-Semester Examination- Nov., 2018**  
**Summer Semester, Sem-III (2018-19), B.Voc. Program**

**Course: Spoken English**  
**Course Code: GEN1301**

**Time: 1 Hour**

**Max. Marks: 20**

**Instructions: The question paper comprises three sections A, B & C. Marks allotted are mentioned against each section.**

**Section-A**

**(1\*5=5)**

- Q1.** The poem 'Virtue' is written by:  
(a) Robert George  
(b) George Herbert  
(c) John Herbert  
(d) James Herber
- Q 2.** Fill in the blank with the right word: -  
Sweet rose, whose hue angry and \_\_\_\_\_.  
(a) red  
(b) calm  
(c) brave  
(d) grave
- Q 3.** Choose the right word and fill in the blank:  
Only a sweet and \_\_\_\_\_ soul.  
(a) virtuous  
(b) pure  
(c) simple  
(d) good
- Q 4.** Write an appropriate question tag for the following line:  
It is raining.
- Q 5.** Change the following sentence into indirect speech:  
She said to me, "May you live long."

**Section- B**

**(2\*3=6)**

- Q 6.** Explain the following lines with reference to the context:  
The dew shall weep thy fall tonight  
For thou must die.
- Q 7.** How does the poet describe the day?
- Q 8.** What is the 'sweet spring' full of?

Section- C

(3\*3=9)

- Q 9. Write the summary of the poem 'Virtue'.
- Q 10. Change the following sentences into passive voice:
- (a) I will never forget this experience.
  - (b) Nurses look after patients.
  - (c) Did she do her duty?
- Q 11. Make sentences with the following words:
- (a) team
  - (b) picture
  - (c) yesterday
  - (d) precious
  - (e) cook
  - (f) coffee
-



Registration No.....

**Bhartiya Skill Development University**  
**School of General Education**  
**II In-Semester Examination- Nov., 2018**  
**Summer Semester, Sem-III (2018-19), B.Voc. Program**

**ANSWER KEY**

**Course: Spoken English**  
**Course Code: GEN1301**

**Time: 1 Hour**

**Max. Marks: 20**

**Instructions: The question paper comprises three sections A, B & C. Marks allotted are mentioned against each section.**

**Section-A**

**(1\*5=5)**

**Ans1.** (b) George Herbert

**Ans 2.** (c) brave

**Ans 3.** (a) virtuous

**Ans 4.** It is raining. Is it?

**Ans 5.** She blessed me that I might live long.

**Section- B**

**(2\*3=6)**

**Ans 6.** Explain the following lines with reference to the context:

The dew shall weep thy fall tonight  
For thou must die.

These lines have been taken from the poem *Virtue* by *George Herbert*. He begins with a direct rhetorical address to a personified thing: as if speaking to the day, the narrator says, "Sweet day" and then characterizes the day as "cool," "calm," and "bright.". "The bridal of the earth and sky," which describes the "day," indicates no action, instead merely illustrating and amplifying the conditions depicted in the first line. That is, the "sweet day" is the bridal—the marriage, conjunction, or union—of the earth and the sky. In sum, Herbert presents a serene yet invigorating day and locates the reader in the celestial and terrestrial realms simultaneously, for the day in its loveliness brings them together. Day, however, gives way to night, just as life gives way to death: "The dew

shall weep thy fall tonight," the narrator asserts, turning a daily natural event, nightfall, into a metaphor.

**Ans 7.** How does the poet describe the day?

In the first stanza the poet refers to "sweet day," the joining of earth and sky, with all its positive aspects—cool, calm and bright. However, these engaging images are coupled with death. It is *here* in "dew shall weep."

**Ans 8.** What is the 'sweet spring' full of?

Sweet spring is full of sweet days and roses as per the poet, He compares the spring days to roses and sweets. In the second line of the quatrain, spring is likened to "a box where sweets compacted lie."

### Section- C

(3\*3=9)

**Ans 9.** Write the summary of the poem 'Virtue'.

In "Virtue," which comprises four quatrains altogether, Herbert reflects on the loveliness of the living world but also on the reality of death. Building momentum by moving from the glory of a day to the beauty of a rose to the richness of springtime, while reiterating at the end of each quatrain that everything "must die," Herbert leads the reader to the last, slightly varied quatrain. There, the cherished thing is not a tangible manifestation of nature but the intangible substance of "a sweet and virtuous soul." When all else succumbs to death, the soul "then chiefly lives." Not through argument but through an accumulation of imagery, Herbert contrasts the passing glories of the mortal world with the eternal glory of the immortal soul and thereby distinguishes between momentary and eternal values.

**Ans 10.** Change the following sentences into passive voice:

- (a) This experience will never be forgotten by me.
- (b) Patients are looked after by nurses.
- (c) Was her duty done by her?

**Ans 11.** Make sentences with the following words:

- (a) team
- (b) picture
- (c) yesterday
- (d) precious
- (e) cook
- (f) coffee



Registration No.: .....

# BHARTIYA SKILL DEVELOPMENT UNIVERSITY

## School of Manufacturing Skills

### 3<sup>rd</sup> Semester, 2<sup>nd</sup> In-Sem. Examination

### B. Voc. Program, Summer Semester (2018-19)

Course Code: GEN1302

Time: 1 Hour

Course Name: Computer Aided Drawing

Max. Marks: 20

#### Instruction:

1. Attempt all questions.
2. Use of Calculators is Prohibited.
3. Section A contains 05 Questions. Each question carries 1 Mark.
4. Section B contains 03 Questions. Each question carries 2 Marks.
5. Section C contains 03 Questions. Each question carries 3 Marks.

#### Section – A

05X1= 5 Marks

1. Which of the following command is used to show/hide line weight in AutoCAD?
  - a) LWT
  - b) QP
  - c) DUCS
  - d) SNAP
2. Which of the following is the AutoCAD blank template file?
  - a) acad.dxf
  - b) acad.png
  - c) acad.dwg
  - d) acad.dwt
3. Which of the following command is used to show/hide command line in AutoCAD?
  - a) Ctrl+0
  - b) Ctrl+8
  - c) Ctrl+2
  - d) Ctrl+9
4. What is default coordinate system of AutoCAD called?
  - a) WCS
  - b) UCS
  - c) Both of the above
  - d) None of the above

5. In \_\_\_\_\_ Projection method distance from the observer to the object is infinite.
- Perspective
  - Parallel
  - Orthographic
  - First angle

**Section- B**

**02X3= 6 Marks**

- Give two uses of divider.
- Show difference between center line and section plane line with a diagram.
- What is sectioning and why is it done?

**Section- C**

**03X3= 9 Marks**

- What information should be available in an engineering drawing?
- Define fits with a diagram and also explain different types of fits conditions?
- Calculate the following for 18H7:
  - Upper deviation
  - Minimum size
  - Nominal size
  - Fundamental deviation
  - Upper limit
  - Lower deviation

ISO Tolerances for Holes (ISO 286-2)																				
Nominal hole sizes (mm)																				
over	3	6	10	18	30	40	50	65	80	100	120	140	160	180	200	225	250	280	315	355
inc.	6	10	18	30	40	50	65	80	100	120	140	160	180	200	225	250	280	315	355	400
micrometres																				
E6	+28 +20	+34 +25	+43 +32	+53 +40	+66 +50	+79 +60	+94 +72	+110 +85	+129 +100	+142 +110	+161 +125									
E7	+32 +20	+40 +25	+50 +32	+61 +40	+75 +50	+90 +60	+107 +72	+125 +85	+146 +100	+162 +110	+185 +125									
E11	+95 +20	+115 +25	+142 +32	+170 +40	+210 +50	+250 +60	+292 +72	+335 +85	+390 +100	+430 +110	+485 +125									
E12	+140 +20	+175 +25	+212 +32	+250 +40	+300 +50	+360 +60	+422 +72	+485 +85	+560 +100	+630 +110	+695 +125									
E13	+200 +20	+245 +25	+302 +32	+370 +40	+440 +50	+520 +60	+612 +72	+715 +85	+820 +100	+920 +110	+1015 +125									
F6	+18 +10	+22 +13	+27 +16	+33 +20	+41 +2	+49 +30	+58 +36	+68 43	+79 +50	+88 +56	+98 +62									
F7	+22 +10	+28 +13	+34 +16	+41 +20	+50 +25	+60 +30	+71 +36	+83 43	+96 +50	+108 +56	+119 +62									
F8	+28 +10	+35 +13	+43 +16	+53 +20	+64 +25	+76 +30	+90 +36	+106 43	+122 +50	+137 +56	+151 +62									
G6	+12 +4	+14 +5	+17 +6	+20 +7	+25 +9	+29 +10	+34 +12	+39 +14	+44 +15	+49 +17	+54 +18									
G7	+16 +4	+20 +5	+24 +6	+28 +7	+34 +9	+40 +10	+47 +12	+54 +14	+61 +15	+69 +17	+75 +18									
G8	+22 +4	+27 +5	+33 +6	+40 +7	+48 +9	+56 +10	+66 +12	+77 +14	+87 +15	+98 +17	+107 +18									
H6	+8 0	+9 0	+11 0	+13 0	+16 0	+19 0	+22 0	+25 0	+29 0	+32 0	+36 0									
H7	+12 0	+15 0	+18 0	+21 0	+25 0	+30 0	+35 0	+40 0	+46 0	+52 0	+57 0									
H8	+18 0	+22 0	+27 0	+33 0	+39 0	+46 0	+54 0	+63 0	+72 0	+81 0	+89 0									
H9	+30 0	+36 0	+43 0	+52 0	+62 0	+74 0	+87 0	+100 0	+115 0	+130 0	+140 0									

**BHARTIYA SKILL DEVELOPMENT UNIVERSITY**  
**School of Manufacturing Skills**

**3<sup>rd</sup> Semester, 2<sup>nd</sup> In-Sem. Examination**

**B. Voc. Program, Summer Semester (2018-19)**

**Course Code: GEN1302**

**Time: 1 Hour**

**Course Name: Computer Aided drawing**

**Max. Marks: 20**

**Section- A**

1. Which of the following command is used to show/hide line weight in AutoCAD? 1 Mark
  - LWT
  
2. Which of the following is the AutoCAD blank template file? 1 Mark
  - Acad.dwt
  
3. Which of the following command is used to show/hide command line in AutoCAD? 1 Mark

Ctrl + 9
  
4. What is default coordinate system of AutoCAD called? 1 Mark

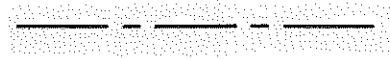
WCS
  
5. In \_\_\_\_\_ Projection method distance from the observer to the object is infinite. 1 Mark
  - Parallel

**Section- B**

6. Give two uses of divider 1 x 2=2 Marks
  - Indirect measurement
  - Scribing purpose
  
7. Show difference between center line and section plane line with diagram? 2 Marks
  - Section plane line is thick at bends while center line remains uniform everywhere.



Cutting plane line



center line

8. What is sectioning and why it is done? 2 Marks
- Sectioning is the technique by which part is assumed to be cut off and internal details of cutaway part is shown. It is done because dimensioning on hidden lines are not allowed.

### Section- C

9. What information should be available in an engineering drawing: 0.3 x 10=3 Marks

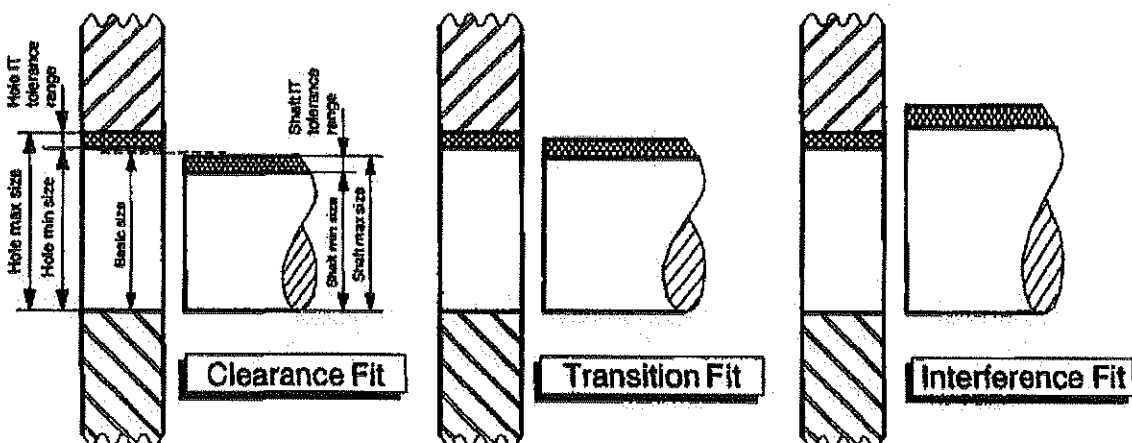
- Shape of an object
- Exact Sizes and tolerances of various parts of the object
- The finish of the product
- Machine cost
- Machining sequence
- The details of materials
- Catalogue no. of the product
- Date on which the drawing was made
- The person who made the drawing
- The company's name

10. Define fits with diagram and also explain different types of fits conditions:

Fits: the degree of tightness and looseness between two mating parts is known as fits

Three different types of fits conditions are:

- Clearance fit: it is obtained when hole size is larger than shaft size
- Interference fit: it is obtained when shaft size is larger than hole size
- Transition fit: transition fit is obtained when hole and shaft size is comparable it can either lie in clearance zone or in interference zone.





11. Calculate the following for 18H7:

- a) Upper deviation b) Minimum size c) Nominal size d) fundamental deviation  
e) Upper limit (f) Lower deviation

- a) 0.018 mm or 18  $\mu\text{m}$   
b) 18 mm  
c) 18 mm  
d) 0  $\mu\text{m}$   
e) 18.018 mm  
f) 0  $\mu\text{m}$



**SCHOOL OF GENERAL EDUCATION**  
**III SEMESTER/ SECOND IN-SEMESTER EXAMINATION – 2018-19**  
**SUMMER SEMESTER, B. VOC. PROGRAM**

**Course Code: GEN 1303**

**Time: 1 Hour**

**Course Name: Entrepreneurship Development**

**Max. Marks: 20**

**Instructions:**

1. Answers all questions from Section A, each question carries one mark.
2. Answers all questions from Section A, each question carries two marks.
3. Answers all questions from Section A, each question carries three marks

**Section-A**

1. Which of the following is a true statement?

**5\*1= 05 Marks**

- a) It is only because of the innovative entrepreneurs the society gets new products
- b) It is only because of the fabian entrepreneurs the society gets new products
- c) It is only because of the imitative entrepreneurs the society gets new products

2. Which of the following is a true statement?

- a) The analysis of profitability and breakeven level of various industries indicates promising investment opportunities
- b) The analysis of profitability and breakeven level of various industries indicates promising dis-investment opportunities
- c) The analysis of profitability and breakeven level of various industries indicates promising dismissal opportunities

**Choose the suitable answer**

3. .... entrepreneurs stick up to the old values, customs and traditions

- a) First generation      b) Drone      c) Imitative      d) Innovative

4. When businesses leave the start-up stage, they typically start to .....

- a) decline      b) grow      c) mature      d) disintegrate

5. Generally, businesses pass through ..... stages before reaching the final stage of decline

- a) one      b) two      c) three      d) four

**Section-B**

**3\*2= 06 Marks**

6. What do you understand by the term "Maturity" in business cycle?
7. Name the sources of Project Ideas.
8. Why investigating local materials and resources is considered essential for an entrepreneur?

**Section-C**

**3\*3 =09 Marks**

9. Explain any three types of entrepreneurs.
10. Explain any five causes of failure of entrepreneurs.
11. What do you mean by the term "Screening of Project Ideas".

**SCHOOL OF GENERAL EDUCATION**  
**III SEMESTER/ SECOND IN-SEMESTER EXAMINATION – 2018-19**  
**SUMMER SEMESTER, B. VOC. PROGRAM**

**Course Code: GEN1303**

**Time: 1 Hour**

**Course Name: Entrepreneurship Development**

1. a)
2. a)
3. b)
4. b)
5. c)

**Short-Answer Type Questions**

6. Maturity - When businesses crack the local market and manage their affairs efficiently, they become mature. Mature firms have achieved a certain amount of name recognition. Contacts are well-established, sales require less effort, the business produces a reliable stream of cash, and borrowing becomes easier. At this point, intensive marketing may be needed to increase or maintain market position, and there is little product innovation. Profit margins tend to stabilize

7. Sources of Project Ideas

Project ideas could originate from the various sources viz.,

- >> Success story of a friend/relatives
- >> Experience of others in manufacture/sale of product
- >> Examining the inputs and outputs of industries
- >> Plan outlays and government guidelines
- >> Suggestions of financial institutions and developmental agencies
- >> Investigation of local materials and resources
- >> Economic and social trend of the economy
- >> New technological developments
- >> Industrial potential surveys
- >> Visits to trade fairs
- >> Unfulfilled psychological needs
- >> Possibility of reviving sick units.

8. A search for project ideas may begin with an investigation into local resources and skills, various ways of adding value to locally available materials may be examined. Similarly, the skills of local artisans may suggest products that may be profitably produced and marketed.

## Essay Type Questions

9. Three types of entrepreneurs:

1. **Innovative Entrepreneur** : Innovative entrepreneurs are motivated by the idea of doing something new. They welcome the advancements in science, technology and research fields. They make commercial use of inventions and introduce new products, which hitherto were not used by customers.

2. **Imitative Entrepreneurs**: The tendency of imitative entrepreneurs is just reverse of that of innovative entrepreneurs. They do not innovate but imitate the products and policies of innovative entrepreneurs functioning in developed country.

3. **Fabian Entrepreneurs**: These entrepreneurs take great precaution and are of suspicious mind in experimenting any change in their enterprises. They conduct the business in a routine manner and are ready to change only when they feel that failure to change would affect their position. They do not welcome the changes.

## 10. Causes of failure of entrepreneurs

1. **Selection of business**: It is an important aspect. That means an entrepreneur has to determine what type business he is going to start. Form various points of view the feasibility of the business should be tested.

2. **Proper planning**: Proper planning me s also important. For planning, planning premises like political, economic, social premised should be considered first. The steps of planning should be followed properly.

3. **Initial capital**: if the initial capitals are not an optimal level the organization would fall. So whether the enterprise is big or small the initial capital should be sufficient enough.

4. **Determination o0f market demand**: Through research the demand in the market should be identified. Both for long term and short term it should be considered.

5. **Marketing of product**: If the promotion policy, channel of destitution, transportation is not good the enterprise would fall.

## 11. Screening of Project Ideas

After gathering the project ideas from the various sources as aforesaid, it is essential to eliminate ideas which prima facie are not promising. This process of eliminating the irrelevant and unviable ideas is called screening of project ideas. It can be done with the help of testing the following conditions of the propositions.

- a. Compatibility with the promoter
- b. Consistency with governmental priorities
- c. Availability of inputs
- d. Adequacy of market
- e. Reasonableness of cost
- f. Acceptability of risk level etc.

The project idea must be compatible with interest personality and resources of the entrepreneur. It should be accessible to him and also it offers him the prospects of rapid growth and high return on invested capital.

The project idea must satisfy or go along with the governmental priorities. National goals and governmental regulatory framework.

- No contrary environmental effects to governmental regulations
- Easily accommodating foreign exchange requirements
- No difficulty in obtaining license.

The resources and inputs required for the project must be reasonably assured. This feature of the project can be assessed with the help of determining the following points relating to a project.

- Capital requirement within manageable limit
- Obtaining technical know-how
- Availability of raw materials at a reasonable cost
- Obtaining power supply

Identifying the adequacy of market is the key factor to select, the viable project idea. To judge the adequacy of market the following factors have to be examined.

- Total present domestic market
- Competitors and their market shares
- Export market
- Quality price profile of the product
- Sale and distribution system
- Projected increase in consumption
- Barriers to the entry of new units
- Economic social and demographic trends favourable to increased consumption
- Patent protection

Reasonableness of cost is another factor to screen the project ideas. The cost structure of the proposed project must enable it to realise an acceptable profit with a competitive price. The following cost factors must be carefully considered to design a viable cost structure.

- Cost of material inputs, labour costs, factory overheads.
- General administration expenses, selling and distribution costs.
- Service costs, economics of scale etc.

Acceptability of risk level is another factor which helps to screen the project ideas and hence determine the desirability of a project.

THE UNIVERSITY OF CHICAGO  
DEPARTMENT OF POLITICAL SCIENCE  
POLITICAL SCIENCE 301  
POLITICAL SCIENCE 302  
POLITICAL SCIENCE 303  
POLITICAL SCIENCE 304  
POLITICAL SCIENCE 305  
POLITICAL SCIENCE 306  
POLITICAL SCIENCE 307  
POLITICAL SCIENCE 308  
POLITICAL SCIENCE 309  
POLITICAL SCIENCE 310  
POLITICAL SCIENCE 311  
POLITICAL SCIENCE 312  
POLITICAL SCIENCE 313  
POLITICAL SCIENCE 314  
POLITICAL SCIENCE 315  
POLITICAL SCIENCE 316  
POLITICAL SCIENCE 317  
POLITICAL SCIENCE 318  
POLITICAL SCIENCE 319  
POLITICAL SCIENCE 320  
POLITICAL SCIENCE 321  
POLITICAL SCIENCE 322  
POLITICAL SCIENCE 323  
POLITICAL SCIENCE 324  
POLITICAL SCIENCE 325  
POLITICAL SCIENCE 326  
POLITICAL SCIENCE 327  
POLITICAL SCIENCE 328  
POLITICAL SCIENCE 329  
POLITICAL SCIENCE 330  
POLITICAL SCIENCE 331  
POLITICAL SCIENCE 332  
POLITICAL SCIENCE 333  
POLITICAL SCIENCE 334  
POLITICAL SCIENCE 335  
POLITICAL SCIENCE 336  
POLITICAL SCIENCE 337  
POLITICAL SCIENCE 338  
POLITICAL SCIENCE 339  
POLITICAL SCIENCE 340  
POLITICAL SCIENCE 341  
POLITICAL SCIENCE 342  
POLITICAL SCIENCE 343  
POLITICAL SCIENCE 344  
POLITICAL SCIENCE 345  
POLITICAL SCIENCE 346  
POLITICAL SCIENCE 347  
POLITICAL SCIENCE 348  
POLITICAL SCIENCE 349  
POLITICAL SCIENCE 350  
POLITICAL SCIENCE 351  
POLITICAL SCIENCE 352  
POLITICAL SCIENCE 353  
POLITICAL SCIENCE 354  
POLITICAL SCIENCE 355  
POLITICAL SCIENCE 356  
POLITICAL SCIENCE 357  
POLITICAL SCIENCE 358  
POLITICAL SCIENCE 359  
POLITICAL SCIENCE 360  
POLITICAL SCIENCE 361  
POLITICAL SCIENCE 362  
POLITICAL SCIENCE 363  
POLITICAL SCIENCE 364  
POLITICAL SCIENCE 365  
POLITICAL SCIENCE 366  
POLITICAL SCIENCE 367  
POLITICAL SCIENCE 368  
POLITICAL SCIENCE 369  
POLITICAL SCIENCE 370  
POLITICAL SCIENCE 371  
POLITICAL SCIENCE 372  
POLITICAL SCIENCE 373  
POLITICAL SCIENCE 374  
POLITICAL SCIENCE 375  
POLITICAL SCIENCE 376  
POLITICAL SCIENCE 377  
POLITICAL SCIENCE 378  
POLITICAL SCIENCE 379  
POLITICAL SCIENCE 380  
POLITICAL SCIENCE 381  
POLITICAL SCIENCE 382  
POLITICAL SCIENCE 383  
POLITICAL SCIENCE 384  
POLITICAL SCIENCE 385  
POLITICAL SCIENCE 386  
POLITICAL SCIENCE 387  
POLITICAL SCIENCE 388  
POLITICAL SCIENCE 389  
POLITICAL SCIENCE 390  
POLITICAL SCIENCE 391  
POLITICAL SCIENCE 392  
POLITICAL SCIENCE 393  
POLITICAL SCIENCE 394  
POLITICAL SCIENCE 395  
POLITICAL SCIENCE 396  
POLITICAL SCIENCE 397  
POLITICAL SCIENCE 398  
POLITICAL SCIENCE 399  
POLITICAL SCIENCE 400

1  
2  
3  
4  
5  
6  
7  
8  
9  
10  
11  
12  
13  
14  
15  
16  
17  
18  
19  
20  
21  
22  
23  
24  
25  
26  
27  
28  
29  
30  
31  
32  
33  
34  
35  
36  
37  
38  
39  
40  
41  
42  
43  
44  
45  
46  
47  
48  
49  
50  
51  
52  
53  
54  
55  
56  
57  
58  
59  
60  
61  
62  
63  
64  
65  
66  
67  
68  
69  
70  
71  
72  
73  
74  
75  
76  
77  
78  
79  
80  
81  
82  
83  
84  
85  
86  
87  
88  
89  
90  
91  
92  
93  
94  
95  
96  
97  
98  
99  
100



Registration No.....

**Bhartiya Skill Development University**  
**School of General Education**  
**II In-Semester Examination- Nov., 2018**  
**Summer Semester, Sem-III (2018-19), B.Voc. Program**

**Course: Personality Development**  
**Course Code: GEN1304**

**Time: 1 Hour**

**Max. Marks: 20**

**Instructions: The question paper comprises three sections A, B & C. Marks allotted are mentioned against each section.**

**Section-A**

**(1\*5=5)**

- Q1. State one way to improve Time Management.
- Q 2. What should not be done to improve Time Management?
- Q 3. What is the result of too much stress in life?
- Q 4. What is the result of effective Stress Management?
- Q 5. What are the benefits of a balanced life?

**Section- B**

**(2\*3=6)**

- Q 6. State four techniques to reduce stress.
- Q 7. State four ways of Time Management.
- Q 8. Write down four rules of good e-mail communication.

**Section- C**

**(3\*3=9)**

- Q 9. Write an e-mail to your manager requesting for 5 days' leave to attend your sister's wedding.
  - Q 10. Write a detailed note on Extrinsic Motivation.
  - Q 11. Give two suitable examples of actions that are the result of Intrinsic Motivation.
-





Registration No.....

**Bhartiya Skill Development University**  
**School of General Education**  
**II In-Semester Examination- Nov., 2018**  
**Summer Semester, Sem-III (2018-19), B.Voc. Program**

**ANSWER KEY**

**Course: Personality Development**  
**Course Code: GEN1304**

**Time: 1 Hour**

**Max. Marks: 20**

**Instructions: The question paper comprises three sections A, B & C. Marks allotted are mentioned against each section.**

**Section –A**

- Ans.1. Setting Alarms, Making Time tables etc.
- Ans.2. Procrastination, Social Media Networking etc.
- Ans. 3 Mental Imbalance, Depression etc.
- Ans.4 Improved relationships, balanced life, Mental Relaxation
- Ans. 5. Stress free life, Good mental and physical health

**Section B**

- Ans.6. Meditation, Yoga. Exercise, Time Management
- Ans. 7. Reminders, Planning, Prioritizing, Alerts
- Ans 8. Following are the basic rules of good e-mail communication:
- Remember that direct language can sound harsher in emails than in person.
  - Use proper written, not spoken, language.
  - Do not assume that the reader will “get” a joke or understand sarcasm.
  - Be thoughtful and respectful in what you write.
  - Do not make demands.
  - Choose your words carefully.

### Section C

**Ans 9.** Subject line to state the purpose of your e-mail. Sentences to be short, clear, and to the point. No acronyms; crisp subject matter. E-mail should be simple, clear, and concise and it must include greeting and salutation.

**Ans10. Extrinsic motivation** occurs when we are motivated to perform a behavior or engage in an activity to earn a reward or avoid punishment.

Examples of behaviours that are the result of extrinsic motivation include:

- Studying because you want to get a good grade
- Cleaning your room to avoid being reprimanded by your parents

**Ans 11. Intrinsic motivation** involves engaging in a behavior because it is personally rewarding; essentially, performing an activity for its own sake rather than the desire for some external reward.

Examples of actions that are the result of intrinsic motivation include:

- Participating in a sport because you find the activity enjoyable
- Solving a word puzzle because you find the challenge fun and exciting



Registration No.: .....

## BHARTIYA SKILL DEVELOPMENT UNIVERSITY

### Question Paper

School of Automotive Skills

3<sup>rd</sup> Semester, 2<sup>nd</sup> In-Sem. Examination

B. Voc. Program, Summer Semester (2018-19)

Course Code: GEN 1305

Time: 1 Hour

Course Name: Elementary Drawing Skills

Max. Marks: 20

#### Instruction:

1. Answer all questions from section – A, each question carries one mark.
2. Answer all questions from section – B, each question carries two marks.
3. Answer all questions from section – C, each question carries three marks.

#### Section – A

05x01 = 05 Marks

Q 1. What we call when the tolerance distribution is only on one side?

- A. Bilateral tolerance
- B. Unilateral tolerance.
- C. Both A & B
- D. none of above.

Q 2. What is the full form of IT?

- A. Indian tolerance.
- B. International tolerance.
- C. Both A & B
- D. Inline tolerance.

Q 3. H stands for what in  $\varnothing 30 H 7$

- A. Height.
- B. Hardness.
- C. Fundamental deviation.
- D. All of the above.

Q 4. Hatching lines indicates which part in cut section?

- A. Solid part.
- B. Spherical part.
- C. Invisible part parts.
- D. Both B & C.

Q 5. What are the dimension of A4 sheet?

- A. 210\*297.
- B. 210\*298.
- C. 210\*296.
- D. None of the above.

**Section – B**

03X02 = 06 Marks

Q 6. What is tolerance? Give any two example for having the use of tolerance?

Q 7. How many types of tolerance are there?

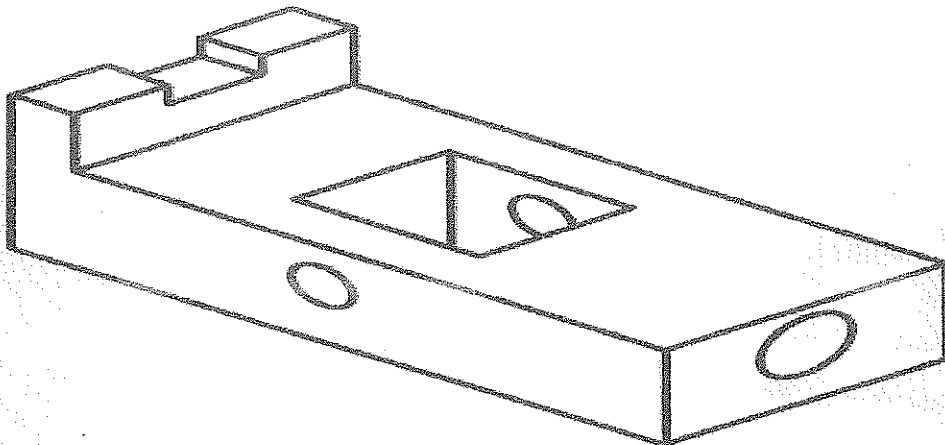
Q 8. What is fits? What are the use of fits?

**Section – C**

03X03 = 09 Marks

Q 9. What is clearance fits, interference fits and transition fits? Explain with diagram.

Q 10. Draw its front view, top view and left side view in first quadrant?



Q 11. Difference between full section view and offset section view with diagram.



# BHARTIYA SKILL DEVELOPMENT UNIVERSITY

Answer sheet

School of Automotive Skills

3<sup>rd</sup> Semester, 2<sup>nd</sup> In-Sem. Examination

B. Voc. Program, Summer Semester (2018-19)

Course Code: GEN 1305

Course Name: Elementary Drawing Skills

Time: 1 Hour

Max. Marks: 20

## Section – A

05x01 = 05 Marks

Q 1. What we call when the tolerance distribution is only on one side?

**Answer:** unilateral tolerance

Q 2. What is the full form of IT?

**Answer:** International tolerance

Q 3. H stands for what in  $\varnothing 30 H 7$

**Answer:** Fundamental deviations

Q 4. Hatching lines indicates which part in cut section?

**Answer:** solid parts

Q 5. What are the dimension of A4 sheet?

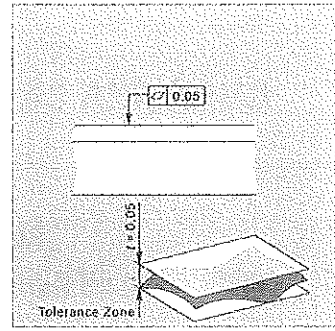
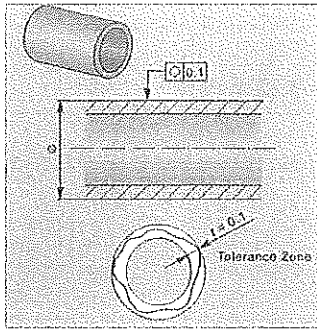
**Answer:** 210\*297

## Section – B

03X02 = 06 Marks

Q 6. What is tolerance? Give any two example for having the use of tolerance?

**Answer:** The basic purpose of providing tolerances is to permit dimensional variations in the manufacture of components. It can also be defined as the total variation permitted in the size of a dimension, and is the algebraic difference between the upper and lower acceptable dimensions



Q 7. Write different types of tolerances?

Answer: there are two types of tolerance

1. Geometric tolerance
2. Dimensional tolerance
  - Unilateral tolerance
  - Bilateral tolerance

Q 8. What is fits? What are the use of fits?

Answer: The relationship between the two mating parts that are to be assembled, that is, the hole and the shaft, with respect to the difference in their dimensions before assembly is called a fit.

An ideal fit is required for proper functioning of the mating parts. Three basic types of fits can be identified, depending on the actual limits of the hole or shaft

### Section – C

03X03 = 09 Marks

Q 9. What is clearance fits, interference fits and transition fits? Explain with diagram.

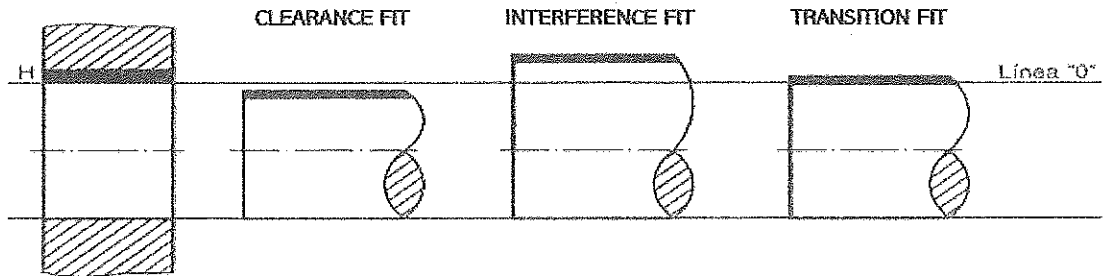
Answer:

**Clearance fit:** The largest permissible diameter of the shaft is smaller than the diameter of the smallest hole.

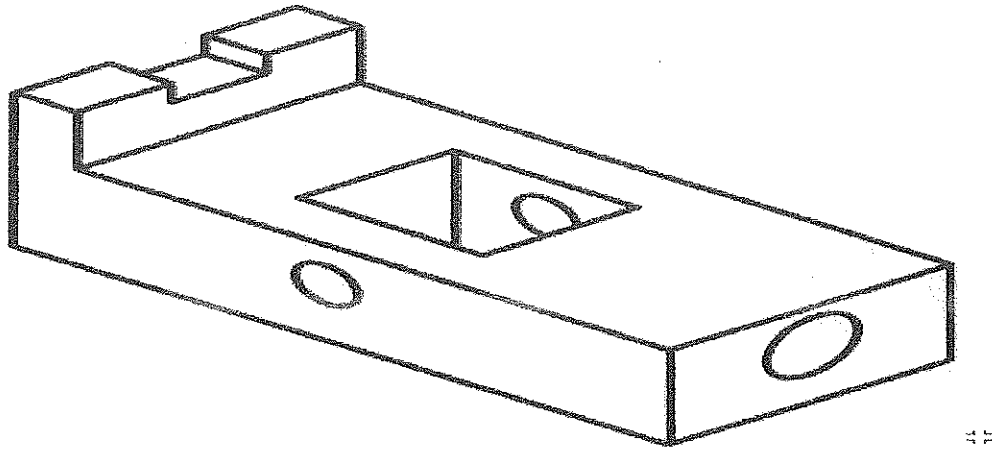
**Interference fit:** The minimum permissible diameter of the shaft exceeds the maximum allowable diameter of the hole.

**Transition fit:** Occurs when two tolerance mating parts are sometimes and interference fit and sometimes clearance fit when assembled.

## Hole system



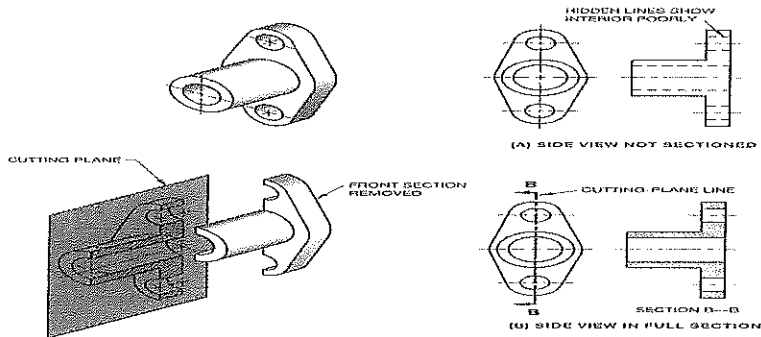
Q 10. Draw its front view, top view and left side view in first angle of projection?



Q 11. Difference between full section view and offset section view with diagram.

Answer: **Full section view**

In this Cutting plane line passes fully through the part



### Offset section view

- Cutting-plane line does not travel in a straight line.

