



BHARTIYA SKILL DEVELOPMENT UNIVERSITY

School of General Education

Session: 2020-21(Winter Semester)

B. Voc. Program, 3rd Semester,

1st In-Sem. Examination

Course Code: GEN 1301

Time: 1 Hour

Course Name: Spoken English

Max. Marks: 20

Section-A

(1*5=5)

Q1. Fill in the blanks with the correct option.

There are _____ sounds in English language.

- (a) 26
- (b) 05
- (c) 44
- (d) 40

Q 2. Match the following

- (a) So -- Diphthong
- (b) Sit -- Monophthong

Q 3. Which of these terms refers to the study of speech sounds?

- (a) Phonology
- (b) Substances
- (c) Phonetics
- (d) Semantics

Q 4. Fill in the blanks with the words from the poem 'Leisure'.

What is this life if, -----?

we have no time to stand and stare

- (a) flight of sight
- (b) full of sleep
- (c) free of care
- (d) full of care

Q 5. Write the phonetic symbols for the speech sound denoted by the underlined letters in the given words:

- (a) Shirt _____
- (b) Think _____

Section- B

(2*3=6)

- Q 6. Explain the terms Monophthongs and Diphthongs with examples.
- Q 7. Explain with reference to the context
*No time to see, in broad daylight,
Streams full of stars, like stars at night.*
- Q 8. Explain the message conveyed by the poet in the poem 'Leisure'?

Section- C

(3*3=9)

- Q 9. Write a short summary of the poem 'Leisure'.
- Q 10. Transcribe the given words: -
- (a) So _____
 - (b) Jump _____
 - (c) Cat _____
- Q 11. Denote the correct pronunciation of the given words by underlining the letter which is kept silent while pronouncing the word.
- (a) Plumber
 - (b) Mortgage
 - (c) Debt

Bhartiya Skill Development University
School of General Education
I In-Semester Examination- April 2021
Winter Semester, Sem-III (2020-21), B.Voc. Program

Spoken English
Course Code: GEN-1301

Answer key

Time: 1 Hour
Max. Marks: 20

Instructions: The question paper comprises three sections A, B & C. Marks allotted are mentioned against each section.

Section-A

(1*5=5)

Q1. Fill in the blanks with the correct option.

There are _____ sounds in English language.

- (a) 26
- (b) 05
- (c) 44
- (d) 40

Q 2. Match the following

- (a) So -- **Diphthong**
- (b) Sit -- **Monophthong**

Q 3. Which of these terms refers to the study of speech sounds?

- (a) Phonology
- (b) Substances
- (c) **Phonetics**
- (d) Semantics

Q 4. Fill in the blanks with the words from the poem 'Leisure'.

What is this life if, -----?

we have no time to stand and stare

- (a) flight of sight
- (b) full of sleep
- (c) free of care
- (d) **full of care**

Q 5. Write the phonetic symbols for the speech sound denoted by the underlined letters in the given words:

- (a) Shirt.... /ʃ/
- (b) Think ... /θ/

Section- B

(2*3=6)

Q 6. Explain the terms Monophthongs and Diphthongs with examples.

Monophthongs are speech sounds which are produced using pure vowel sounds such as /i/, /a:/ etc while diphthongs are the combination of two speech sounds such as /au/ as in cow /ai/ as in shy.

Q 7. Explain with reference to the context

No time to see, in broad daylight,

Streams full of stars, like stars at night.

Lines from Leisure by W h Davies, explaining the beauty of nature, comparison of rivers sparkling in the sunlight. in the day, the rivers look like stars at night. But, busy people do not have time to see this.

Q 8. Explain the message conveyed by the poet in the poem 'Leisure'?

Balance between work life and entertainment, Observation of nature, Focus on nature as a healthy source of knowledge and happiness

Section- C

(3*3=9)

Q 9. Write a short summary of the poem 'Leisure'.

Summary: William Davies a Welsh poet and singer by the means of his poem explains the biggest problem of today's life. Each and every individual is so occupied and busy with their day to day work, to achieve the larger objectives in life that they forget to notice the smaller things in life and the **happiness** they can derive out of these smaller things.

The beauty of nature for example is essential to be noticed. But today nobody has the time to stop for a minute also and observe the extraordinary pleasure in ordinary things such as standing under the trees and witnessing its beauty just like the cows and sheep do. When we get up in the morning, we fail to notice that a new beautiful day is waiting for us. All we are interested in is conducting our daily jobs and work.

Davies strongly believes that life must be lived in a casual and leisurely manner. It is extremely essential to enjoy our free time and the little breaks we get from our work to enjoy the beauty of nature. It is essential to understand the love nature has bestowed upon us. If we are passing through the woods or trees we must notice the squirrels who are trying to hide their nuts.

The poet is very disheartened by the fact that today human beings are deprived of the common pleasures which are accessible to all. We should remember that we need to stop for a few moments every now and then to enjoy these material pleasures we have earned for ourselves.

Q 10. Transcribe the given words: -

- (a) So--- /səʊ/
- (b) Jump ---/ dʒʌmp/
- (c) Cat--- /kæt /

Q 11. Denote the correct pronunciation of the given words by underlining the letter which is kept silent while pronouncing the word.

- (a) Plumber
 - (b) Mortgage
 - (c) Debt
-



School of Manufacturing Skills

Session: 2020-21 (Winter Semester)

B. Voc. Program, III Semester,

I In-Sem. Examination

Course Code: GEN1302

Time: 1 Hour

Course Name: Computer Aided Drawing

Max. Marks: 20

Instructions:

1. Attempt all questions.
2. Use of Calculators is Prohibited.
3. Section A contains 05 Questions. Each question carries 1 Mark.
4. Section B contains 03 Questions. Each question carries 2 Marks.
5. Section C contains 03 Questions. Each question carries 3 Marks.

Section – A

05X01 = 05 Marks

1. The command which is used to create a round corner between two lines is _____
 - a) Chamfer
 - b) Fillet
 - c) Stretch
 - d) Extend
2. The command 'pedit' is used for _____
 - a) erases a portion of line, arc, circle or a 2D poly line between two selected points
 - b) reverses the effects of a series of previously used commands
 - c) breaking a poly line into individual segments
 - d) editing of poly line properties
3. The commands Erase, Copy, Mirror, Trim, Extend, Break etc. belongs to which tool bar?
 - a) Layer tool bar
 - b) Style tool bar
 - c) Modify tool bar
 - d) Draw tool
4. The commands Donut, Block, Spline, Polygon, and Arc etc. belong to which tool bar?
 - a) Layer tool bar
 - b) Style tool bar
 - c) Modify tool bar
 - d) Draw tool bar
5. The command which works on two lines or a single poly line to create a beveled edge is _____
 - a) Chamfer
 - b) Fillet
 - c) Stretch
 - d) Extend



BHARTIYA SKILL DEVELOPMENT UNIVERSITY

Section – B

03X02 = 06 Marks

6. Explain trim command.
7. What do you understand by AutoCAD?
8. Write the different between line and polyline.

Section – C

03X03 = 09 Marks

9. What are the Advantages of AutoCAD software?
10. Define the following with neat and clean figure:
 - a) Rectangular array
 - b) Circular array
 - c) mirror
11. Write down any three commands comes under draw tool bar.



BHARTIYA SKILL DEVELOPMENT UNIVERSITY

Registration No.:

School of Manufacturing Skills

Session: 2020-21 (Winter Semester)

B. Voc. Program, III Semester,

1st In-Sem. Examination

Course Code: GEN1302

Time: 1 Hour

Course Name: Computer Aided Drawing

Max. Marks: 20

Answer Key

Section – A

05X01 = 05 Marks

1. The command which is used to create a round corner between two lines is _____
 - a) Chamfer
 - b) Fillet**
 - c) Stretch
 - d) Extend
2. The command 'pedit' is used for _____
 - a) erases a portion of line, arc, circle or a 2D poly line between two selected points
 - b) reverses the effects of a series of previously used commands
 - c) breaking a poly line into individual segments
 - d) editing of poly line properties**
3. The commands Erase, Copy, Mirror, Trim, Extend, Break etc. belongs to which tool bar?
 - a) Layer tool bar
 - b) Style tool bar
 - c) Modify tool bar**
 - d) Draw tool
4. The commands Donut, Block, Spline, Polygon, and Arc etc. belong to which tool bar?
 - a) Layer tool bar
 - b) Style tool bar
 - c) Modify tool bar
 - d) Draw tool bar**
5. The command which works on two lines or a single poly line to create a beveled edge is _____
 - a) Chamfer**
 - b) Fillet
 - c) Stretch
 - d) Extend

5. Explain trim command?

- The Trim command in AutoCAD is used to remove the objects, which meet the edges of other objects. It is used to remove extra lines or extra parts of an object.
- We can also perform trim using different selection methods.
- We are required to select the portion of the object to trim.

6. What do you understand by Autocad?

AutoCAD stands for Computer Aided Design. This software used for designing and drafting. It allows a user to conceptualize ideas, product designs and drawings to the required level of technical accuracy, perform rapid design calculations and simulations in the field of manufacturing industries

7. Write the different between line and polyline?

The Line and Poly line are two objects with difference properties in Auto-CAD. In the line command, every time we click, the part between two points are- an Independent unity but the part between the first point and the last point consist of multiple separated independent unities.

The Line command allows you to create single straight line or a chain of straight lines.

By using this command-

- We can make object where line is used.
- We can select one line among them to edit the drawing. However, In the poly line command- There is always a unity which cannot be separated. We can only operate the whole unity when executing attribute edition is done.
- With the Line command we can pick a start and end point and AutoCAD will draw a simple line connecting to 2 points. It can continue to pick points and AutoCAD will draw a straight line between the picked point and the previous point. Each line is an individual segment and can be modified independent of the other lines.
- The POLYLINE command allows you to create "ground" objects that can be extruded, given line width on the screen, and can contain arc segments. In this command,
- We cannot give offset in single line. If we want to give offset in single line then firstly, we have to explode the poly line, and give the offset in single line.
- The Poly line is clearly superior to the line and spline. It produces a joined line which is then easier to use for other functions like hatch boundaries and offsetting. It has the extra editing functionality of the multi-function grip. The poly line can provide all that the line and spline can – but without the associated inefficiencies.
- The distinction between line and poly line is-
- LINE = 2D= OK
- PLINE = 3D= OK

8. Advantages of AutoCAD software?

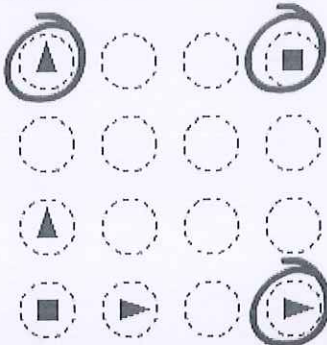
- Accurate and Reduces Errors. The principle on which AutoCAD works is a dynamic engineering model. ...
- Save Time & Money. ...
- Easier Data Transfer. ...
- Controllable in nature. ...
- Database for manufacturing. ...
- Easier Import/ Export of files. ...
- Apply Point Clouds. ...
- Layering feature.
-

9. Define the following with neat and clean figure:

- a) Rectangular array
- b) Circular array
- c) mirror

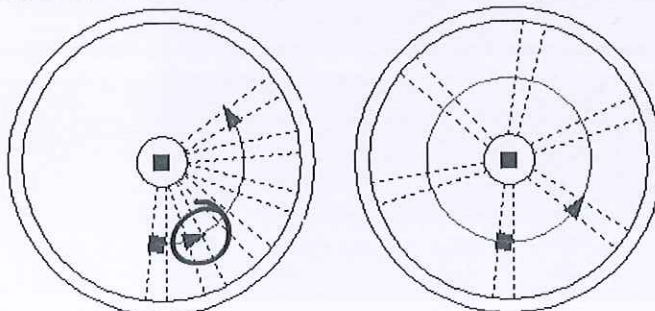
Rectangular array

- select the array.
- Drag a grip in the top-right, top-left, or bottom-right corner to increase or decrease the number of rows or columns.



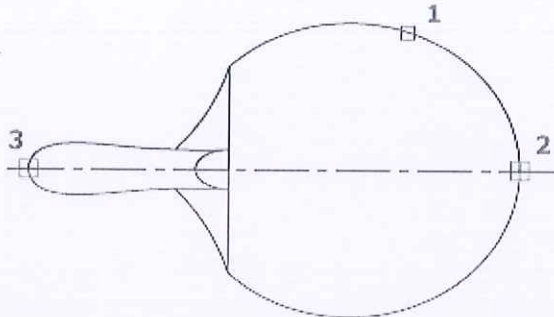
Circular array

- Select the array.
- Click the Angle Between grip.
- The Angle Between grip is displayed on the second item in the first row of the polar array. This grip is displayed only when there are three or more items in the array.
- Move the cursor to increase or decrease the angle between the items and then click.



Create a mirrored copy of selected objects.

You can create objects that represent half of a drawing, select them, and mirror them across a specified line to create the other half.



To Mirror Objects

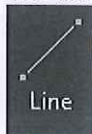


1. Click MIRROR.
 2. Select the objects to mirror.
 3. Press Enter.
 4. Specify the first point of the mirror line.
 5. Specify the second point.
 6. Press Enter.
10. Write down any three commands comes under draw tool bar?

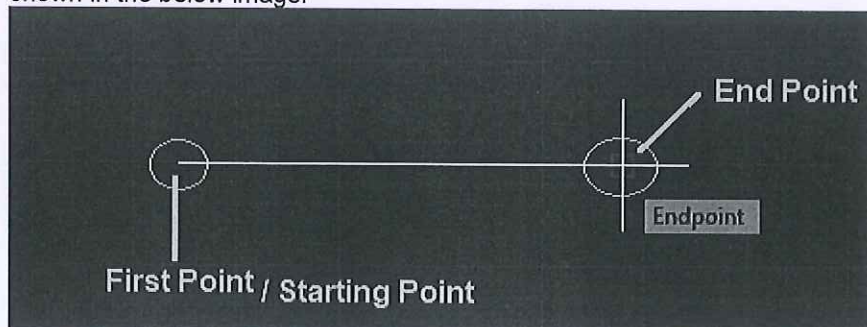
Line

Select the Line icon from the ribbon panel or type L or Line and press Enter on the command line.

The line icon will look like the given image:



Specify the starting point and endpoint using the cursor on the workspace or drawing area, as shown in the below image:



We can also continue the line segments by specifying the endpoints.



BHARTIYA SKILL DEVELOPMENT UNIVERSITY

Press Enter or Esc to exit.

Circle

To draw a **circle** with **AutoCAD**, enter the **CIRCLE command** and choose one of the following options: Center & Radius (CENRAD) -- With this option, you first click where you want the center point of the **circle** to be, then move the pointing device to establish the perimeter of the **circle**.

Arc

To create an **arc**, you can specify combinations of center, endpoint, start point, radius, angle, chord length, and direction values. **Arcs** are drawn in a counterclockwise direction by default. Hold down the Ctrl key as you drag to draw in a clockwise direction. The following prompts are displayed



School of Metal Construction Skills

Session: 2020-21 (Winter Semester)

B. Voc. Program, III Semester

1st In-Sem. Examination

Course Code: GEN1302

Time: 1 Hours

Course Name: COMPUTER AIDED DRAWING

Max. Marks: 20

Instruction:

1. Attempt all questions.
2. Use of Calculators is prohibited.
3. Section A contain 05 Questions. Each question carries 1 Marks.
4. Section B contain 03 Questions. Each question carries 2 Marks.
5. Section C contain 03 Questions. Each question carries 3 Marks.

Section – A

05X01 = 05 Marks

Q1. Which key shows the explode command?

- | | |
|--------|---------|
| a) Ex/ | (c) D/ |
| b) X/ | (d) Ee/ |

Q2. Which key is used to call mirror command?

- | | |
|----------|---------|
| a) Mr/ | (c) mi/ |
| b) Mirr/ | (d) rr/ |

Q3. AutoCAD was developed by

- | | |
|--------------------|-------------------|
| a) Microsoft corp. | (c) IBM |
| b) Autodesk | (d) None of these |

Q4. Which of the following is the extension for AutoCAD drawing file

- | | |
|--------|-------------------|
| a) DWG | (c) ACD |
| b) DOC | (d) None of these |

Q5. By which command you can access to rectangle in Auto CAD?

- | | |
|---------|-----------|
| a) REC/ | (c) RAC/ |
| b) RE/ | (d) RECT/ |

Section – B

03X02 = 06 Marks

Q6. Write advantages of CAD over technical sketching

Q7. Write short note on: a.) Array b.) Trim.

Q8. Write the history and background of CAD.

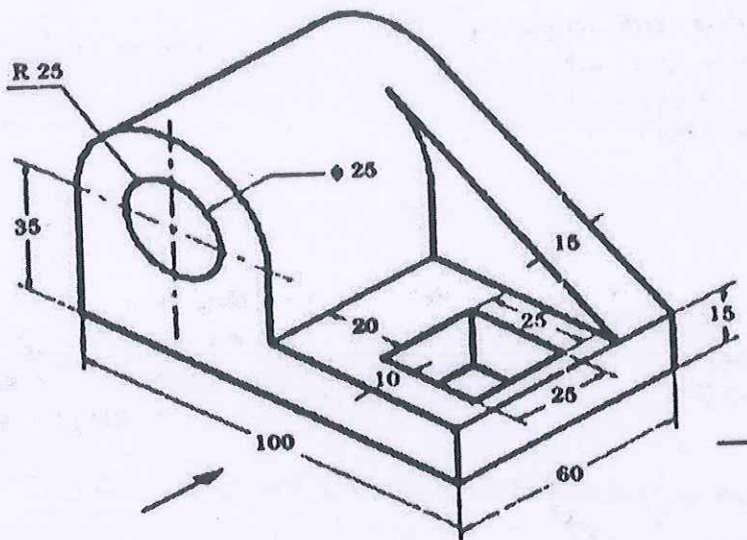
Section – C

03X03 = 09 Marks

Q9. Write advantages of CAD.

Q10. Write the versatility of modern CAD system

Q11. Draw the all multi-view of this drawing.





BHARTIYA SKILL DEVELOPMENT UNIVERSITY

Answersheet (A.S.)

Registration No.:

School of Metal Construction Skills

Session: 2020-21 (Winter Semester)

B. Voc. Program, III Semester

Answer sheet, 1st In-Sem. Examination

Course Code: GEN1302

Time: 1 Hours

Course Name: COMPUTER AIDED DRAWING

Max. Marks: 20

Instruction:

1. Attempt all questions.
2. Use of Calculators is prohibited.
3. Section A contain 05 Questions. Each question carries 1 Marks.
4. Section B contain 03 Questions. Each question carries 2 Marks.
5. Section C contain 03 Questions. Each question carries 3 Marks.

Section – A

05X01 = 05 Marks

Q1. Which key shows the explode command?

- | | |
|--------|---------|
| a) Ex/ | (c) D/ |
| b) X/ | (d) Ee/ |

Q2. Which key is used to call mirror command?

- | | |
|----------|---------|
| a) Mr/ | (c) mi/ |
| b) Mirr/ | (d) rr/ |

Q3. AutoCAD was developed by

- | | |
|--------------------|-------------------|
| a) Microsoft corp. | (c) IBM |
| b) Autodesk | (d) None of these |

Q4. Which of the following is the extension for AutoCAD drawing file

- | | |
|--------|-------------------|
| a) DWG | (c) ACD |
| b) DOC | (d) None of these |

Q5. By which command you can access to rectangle in Auto CAD?

- | | |
|---------|-----------|
| a) REC/ | (c) RAC/ |
| b) RE/ | (d) RECT/ |



Section – B

03X02 = 06 Marks

Q6. Write advantages of CAD over technical sketching

Ans. A common reason that designers use to justify technical sketching is that it produces a more cohesive final product. The main advantage of CAD drawing over sketching is that it saves a ton of time. CAD increases the productivity of designers tremendously (it's anywhere between 3:1 and 10:1). Digital drawings are also malleable and easily edited in the same file. Sketches would need to be thrown out and started from the beginning if any changes were required.

Q7. Write short note on: a.) Array b.) Trim.

Ans. a.) The **array** is the command used to draw multiple copies of an object in a particular pattern or order. We can also manage the distance between the objects in the **array**. The shortcut key for **Array** is AR. To implement an **array**, we can type **Array** or AR on the command line and then press Enter.

b.) The **Trim** command in **AutoCAD** is used to remove the objects, which meet the edges of other objects. It is used to remove extra lines or extra parts of an object.

Q8. Write the history and background of CAD.

Ans. The first important step in the development of computer-aided draughting was made at the Massachusetts Institute of Technology (MIT) in 1963 where a system called **Sketchpad** was developed and demonstrated. It consisted of a **cathode ray tube (CRT)** driven by software running on a Lincoln TX2 computer which was able to create, modify and graphically display a drawing on the screen using a light pen as a pointing device.

The first computer aided drawing system was introduced by IBM. With the development of computer hardware and software, many changes have been made in CADD systems.

Section – C

03X03 = 09 Marks

Q9. Write advantages of CAD.

Ans. 1. **Saves time:** When you are using the computer-aided design software, it will save your time and you can make better and more efficient designs in shorter time duration.

2. **Easy to edit:** When you are making designs, you may find the need to make alterations. When you are using computer-aided design software, it will be much easier to make any changes because you can fix the errors and modify the drawings easily.

3. **Decrease in error percentage:** As the CAD software makes use of some of the best tools, the percentage of error that occurred because of manual designing is significantly reduced.



BHARTIYA SKILL DEVELOPMENT UNIVERSITY

4. Decrease design effort: When it comes to the amount of effort that was needed for the sake of designing the different models, it has been reduced significantly because the software automates most of the task.

5. Code re-use: As the entire task is carried out with the help of computer tools, it removes the problem of duplication of labour, you can copy the different parts of code and design which can then be reused multiple times over and over again.

6. Easy to share: The CAD tools make it easier to save the files and store it in a way that you can use it time and again and send it without any unwanted hassles too.

7. Documenting the Design: CAD software is excellent at documenting all aspects of a design. The measurements, angles, and dimensions of a product are all conveniently recorded and saved for future use. Components and subassemblies are also saved and can be used for future designs if need be. You can easily generate a bill of materials to pass on to your manufacturer, and everything is conveniently recorded for you.

8. Improved accuracy: There is absolutely no doubt about the fact that the kind of accuracy that CAD software will offer can never be achieved by opting for manual drawings. You have tools to measure the precision, skill and accuracy level of the designs

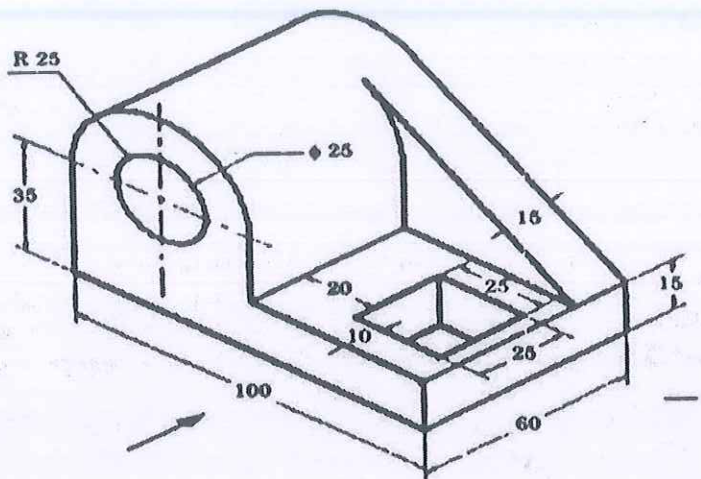
***(Write any Six)**

Q10. Write the versatility of modern CAD system

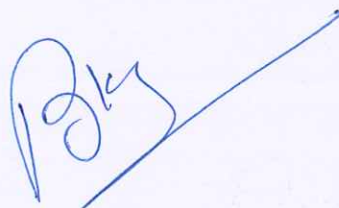
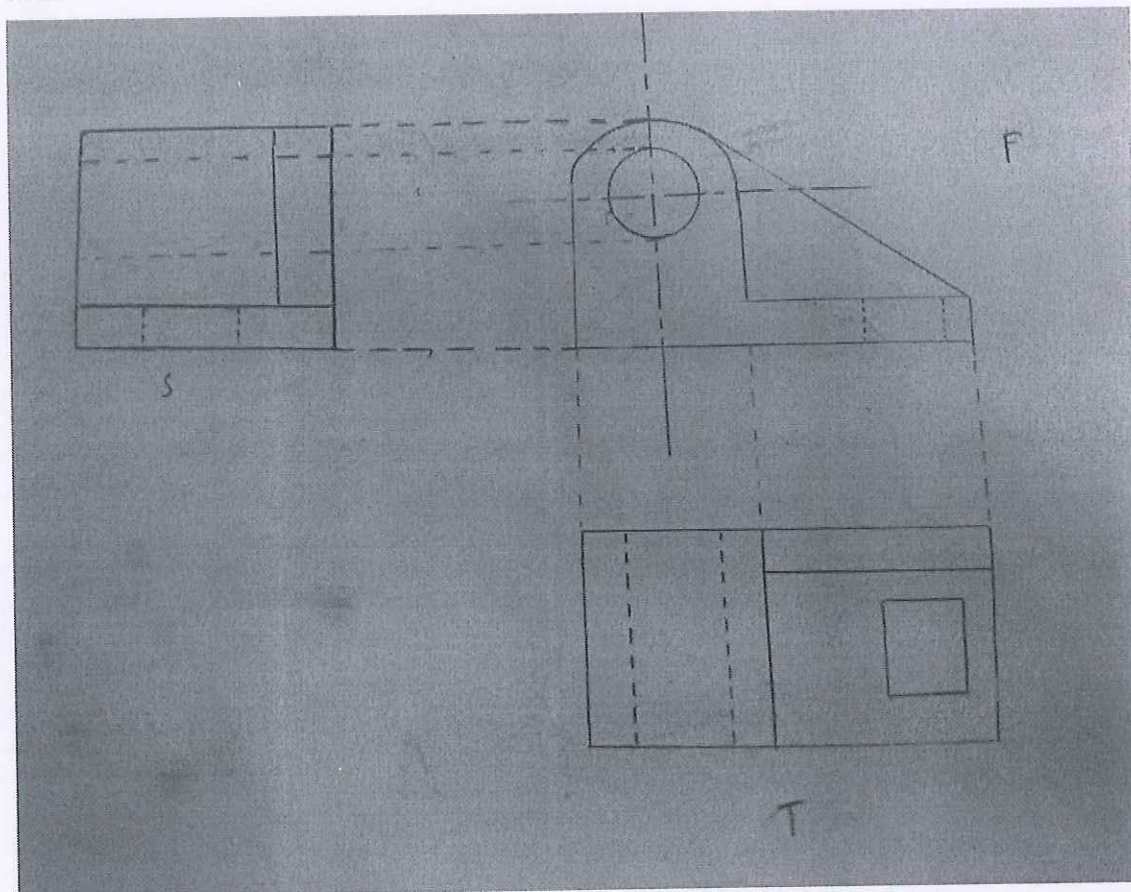
Ans. **versatility of modern CAD systems.**

- **Aerospace:** Layout drawings, part drawings, subassemblies, assemblies
- **Chemical:** Process schematics, process plant layout drawings
- **Civil, Construction:** Structural detail drawings, site plan drawings, construction drawings, road - use plans
- **Electrical, Computer:** Circuit board design, very large system integration (VLSI) design
- **Industrial and Manufacturing:** Manufacturing plant layout drawings, subassemblies, assemblies
- **Mechanical:** part drawing, subassemblies, assembly

Q11. Draw the all multi-view of this drawing.



Ans: -





Registration No.:

BHARTIYA SKILL DEVELOPMENT UNIVERSITY

School of General Education
Session: 2020-21 (Winter Semester)
B. Voc. Program, 3rd Semester, 1st In-Sem. Examination

Course Code: GEN 1303

Time: 1 Hour

Course Name: Entrepreneurship Development

Max. Marks: 20

Instructions: Attempt all questions.

Section-A

5*1= 05 Marks

1. Entrepreneurship is both an art and science of-
 - a) Converting business ideas into marketable products or services
 - b) Formulation of policies relating to Science and Technology (S&T)
 - c) Promoting new areas of Science & Technology
 - d) All of the above
2. According to Stevenson, Entrepreneurship is the-
 - a) Pursuit of opportunity beyond resources controlled
 - b) Pursuit of business opportunity beyond resources controlled
 - c) Pursuit of innovation opportunity beyond resources controlled
 - d) None of the above
3. Lean Entrepreneurship is a-
 - a) Hypothesis-driven approach
 - b) Innovation-driven approach
 - c) Creativity-driven approach
 - d) None of the above
4. The full form of MVP is-
 - a) Minimum Viable Product
 - b) Minimum Viable Production
 - c) Minimum Viable Profit
 - d) None of the above
5. Entrepreneurship Development leads to-
 - a) Balanced regional development
 - b) Improved standard of living and Life style
 - c) Holistic Socioeconomic Development and Economic independence
 - d) All of the above

Section -B

3*2= 06 Marks

1. What do you mean by Entrepreneurship?
2. Who is an Entrepreneur?
3. What is Lean Startup?

Section -C

3*3 =09 Marks

1. Describe briefly the Scope of Entrepreneurship.
2. Explain the need and significance of Entrepreneurship.
3. Differentiate between Entrepreneurship and Intrapreneurship.



Registration No.:

BHARTIYA SKILL DEVELOPMENT UNIVERSITY

School of General Education
Session: 2020-21 (Winter Semester)

B. Voc. Program, 3rd Semester, 1st In-Sem. Examination

Course Code: GEN 1303

Time: 1 Hour

Course Name: Entrepreneurship Development

Max. Marks: 20

Instructions: Attempt all questions.

Answer Key

Section-A

5*1= 05 Marks

1. Entrepreneurship is both an art and science of-
 - a) **Converting business ideas into marketable products or services**
 - b) Formulation of policies relating to Science and Technology (S&T)
 - c) Promoting new areas of Science & Technology
 - d) All of the above

2. According to Stevenson, Entrepreneurship is the-
 - a) **Pursuit of opportunity beyond resources controlled**
 - b) Pursuit of business opportunity beyond resources controlled
 - c) Pursuit of innovation opportunity beyond resources controlled
 - d) None of the above

3. Lean Entrepreneurship is a-
 - a) **Hypothesis-driven approach**
 - b) Innovation-driven approach
 - c) Creativity-driven approach
 - d) None of the above

4. The full form of MVP is-
 - a) **Minimum Viable Product**
 - b) Minimum Viable Production
 - c) Minimum Viable Profit
 - d) None of the above

5. Entrepreneurship Development leads to-
 - a) Balanced regional development
 - b) Improved standard of living and Life style
 - c) Holistic Socioeconomic Development and Economic independence
 - d) **All of the above**

Section -B

3*2= 06 Marks

1. **What do you mean by Entrepreneurship?**

Answer- Entrepreneurship is both an art and science of converting business ideas into marketable products or services to improve the quality of living. It refers to the process of innovating new products or services and streamline the resources required to commercialize

these products or services. Entrepreneurship refers to- “All actions executed by the entrepreneur to establish an enterprise”

2. Who is an Entrepreneur?

Answer- An Entrepreneur is a person who undertake the process of creating something new with value by devoting the necessary time and effort, assuming the accompanying financial, psychic, and social risks, and receiving the resulting rewards of monetary and personal satisfaction and independence.

3. What is Lean Startup?

Answer- Anyone who follows a hypothesis-driven approach to evaluating entrepreneurial opportunity are called “Lean Entrepreneur” and the new venture created is called “Lean Startups”. According to Eric Rise, the concept of startup refers to a human institution designed to create new products and services under conditions of extreme uncertainty”.

Section –C

3*3 =09 Marks

1. Describe briefly the Scope of Entrepreneurship.

Answer- Broadly, the scope of Entrepreneurship relates to the following:-

3E

Entrepreneurship
Entrepreneur
Enterprise

3P

Process
Person
Product

(Product is the Result or the Outcome of the process undertaken by the Person)

The broad theoretical and conceptual contents covered under 3E & 3P are as under-

Entrepreneurship: Concept, Nature, Scope & importance of Entrepreneurship; Why Entrepreneurship versus Lean approach to entrepreneurship; Role of entrepreneurship in economic development; factors impacting emergence of entrepreneurship; Current scenario of Entrepreneurial activity in India; Career as an entrepreneur;

Entrepreneur: What is an Entrepreneur? Why be an Entrepreneur? knowledge and skills required SWOT analysis & Johari Window analysis; Identifying your entrepreneurial style; Principles of effectuation for entrepreneurial intent & actions

Enterprise: An overview of creativity & innovation; Traditional entrepreneurship process; Lean approach to business planning; New venture financing; Entrepreneurial Marketing; Preparing Project Report; Building a new venture team; Challenges in managing and growing an enterprise;

2. Explain the need and significance of Entrepreneurship.

Answer- Entrepreneurship is the driving force. Entrepreneurship drives business creation & Industrialization

- Businesses creation drives value addition (in terms of innovative products & Service, Capital formation & Economic value captured in the GDP and is reflected in the market value)
- Value addition drives job creation

- Job creation drives consumption (Having Job in Hand and a steady stream of income, increases the purchasing power and is reflected in improved per capita income & more consumption)
- Higher & Varied Consumption drives entrepreneurship
- Again Entrepreneurship tends to Harness Locally Available Resources to serve the more complex & large market created as we as to serve the more evolved needs and wants)- And this leads to-Balanced regional development, improved standard of living and Life style & Holistic Socioeconomic Development and Economic independence

3. Differentiate between Entrepreneurship and Intrapreneurship.

Answer- Distinction Between Entrepreneurship & Intrapreneurship-

Entrepreneurship	Intrapreneurship
<ul style="list-style-type: none"> • Entrepreneurship is the practice of embarking on a new business or reviving an existing business by pooling together a bunch of resources, in order to exploit new found opportunity. • Entrepreneurs start their own separate business/company. • Entrepreneurs use their own resources. • Entrepreneurs bears all of the risk of their initiatives failure. • Entrepreneurs reap all of the reward if the new company succeeds 	<ul style="list-style-type: none"> • Intrapreneurship is the practice of Entrepreneurship by employees within an existing organisation. • Intrapreneurs start their own initiatives within existing organisations. • Intrapreneurs use company resources. • The organisation bears the financial risk of the Intrapreneurs initiatives failure. • The organisation reap the financial rewards, while the intrapreneur realize career rewards.



BHARTIYA SKILL DEVELOPMENT UNIVERSITY
School of General Education

Session: 2020-21 (Winter Semester)

B. Voc. Program, 3rd Semester,

1st In-Sem Examination

Course Code: GEN 1304

Time: 1 Hour

Course Name: Personality Development

Max. Marks: 20

Section – A

5X01 = 5 Marks

- Q1.** Match 'O' in the term SWOT Analysis with the correct option.
- Optimism
 - Organization
 - Opportunity
 - Originality
- Q2.** Using a planner or making a to-do list everyday:
- Is a waste of paper?
 - Helps keep things "in sight, in mind"
 - Takes too long to fill out
 - None of these
- Q 3.** SWOT Analysis is a useful technique for understanding your capabilities.
- True
 - False
- Q4.** Failing to manage your time can lead to some consequences like:
- Less Stress
 - Missed Deadlines
 - High Efficiency
 - Greater Productivity
- Q5.** Match 'W' in the term SWOT with the correct option.
- Watchful
 - Waste
 - Weakness
 - Warm

Section B

2X03=6 Marks

- Q6.** Write a short note on the internal components of SWOT analysis.
- Q7.** Explain the importance of SWOT analysis in student's life.
- Q8.** How to use time effectively?

Section C

3X03=9 Marks

- Q9.** Make personal SWOT Analysis of yourself.
- Q10.** Why do you think it is important to manage your time well?
- Q11.** Write a note on importance of self-confidence in one's life.



Registration No.....

Bhartiya Skill Development University

School of General Education
Session: 2021 (Winter Semester)
B. Voc. Program, 3rd Semester,
Mid-Sem-I Examination

Answer Key

Course Code: GEN 1304

Time: 1 Hour

Course Name: Personality Development

Max. Marks: 20

Instruction: The question paper comprises three sections A, B & C. Attempt all questions. Marks allotted are mentioned against each section.

Section – A

5X01 = 5 Marks

Q1. Match 'O' in the term SWOT Analysis with the correct option.

- a) Optimism
- b) Organization
- c) **Opportunity**
- d) Originality

Q2. Using a planner or making a to-do list everyday:

- a) Is a waste of paper?
- b) **Helps keep things "in sight, in mind"**
- c) Takes too long to fill out
- d) None of these

Q 3. SWOT Analysis is a useful technique for understanding your capabilities.

- a) **True**
- b) False

Q4. Failing to manage your time can lead to some consequences like:

- a) Less Stress
- b) **Missed Deadlines**
- c) High Efficiency
- d) Greater Productivity

Q5. Match 'W' in the term SWOT with the correct option.

- a) Watchful
- b) Waste
- c) **Weakness**
- d) Warm

Section B

2X03=6 Marks

Q6. Write a short note on the internal components of SWOT analysis.

S stands for **Strengths**

- What advantages do you have that others don't have (for example, skills, certifications, education, or connections)?
- What do you do better than anyone else?
- What personal resources can you access?

Consider this from your own perspective, and from the point of view of the people around you. And don't be modest or shy – be as objective as you can. Knowing and using your strengths can make you happier and more fulfilled at work.

Weaknesses

- What tasks do you usually avoid because you don't feel confident doing them?
- What will the people around you see as your weaknesses?
- Are you completely confident in your education and skills training? If not, where are you weakest?

- What are your negative work habits (for example, are you often late, are you disorganized, do you have a short temper, or are you poor at handling stress)?
- Do you have personality traits that hold you back in your field? For instance, if you have to conduct meetings on a regular basis, a fear of public speaking would be a major weakness.

Again, consider this from a personal/internal perspective and an external perspective. Do other people see weaknesses that you don't see? Do co-workers consistently outperform you in key areas? Be realistic – it's best to face any unpleasant truths as soon as possible.

Q7. Explain the importance of SWOT analysis in student's life.

Ans: Identify and enhance your skills, talents and abilities

- Have a road map towards your goal
- Capitalize on your strengths
- Manage your weaknesses
- Take advantage of opportunities
- Minimize or eliminate impact of threats
- Use information to plan your career success
- Grab the golden opportunity of desired career

Q8. How to use time effectively?

Ans- List of Tips for Effective Time Management

- Set goals correctly. Set goals that are achievable and measurable. ...
- Prioritize wisely. Prioritize tasks based on importance and urgency. ...
- Set a time limit to complete a task. ...
- Take a break between tasks. ...
- Organize yourself. ...
- Remove non-essential tasks/activities. ...
- Plan ahead.

Section C

3X03=9 Marks

Q9. Make personal SWOT Analysis of yourself.

Ans: Students are required to write in detail about their strengths, weaknesses, opportunities-they may expect and threats- they may face in their careers.

Q10. Why do you think it is important to manage your time well?

Ans- Time management is important because it impacts my productivity and ability to complete my tasks at work. Without good time management skills, it would be impossible to meet deadlines and complete each project to the best of my abilities. In my previous role, I wanted to improve how I managed my time spent at work to maximize my productivity, so I started using a daily to-do list that allowed me to better prioritize my tasks and avoid missing any deadlines.”

Q11. Write a note on importance of self-confidence in one’s life.

Ans: Greater self-confidence allows you to experience freedom from self-doubt and negative thoughts about yourself. Experiencing more fearlessness and less anxiety. Greater confidence makes you more willing to take smart risks and more able to move outside your comfort zone. Having greater freedom from social anxiety.



School of Manufacturing Skills

Session: 2020-21 (Winter Semester)

B. Voc. Program, III Semester,

I In-Sem. Examination

Course Code: GEN1305

Course Name: Elementary Drawing Skills

Time: 1 Hour

Max. Marks: 20

Instructions:

1. Attempt all questions.
2. Section A contains 05 Questions. Each question carries 1 Mark.
3. Section B contains 03 Questions. Each question carries 2 Marks.
4. Section C contains 03 Questions. Each question carries 3 Marks.

Section – A

05X01 = 05 Marks

1. Standard dimension of engineering drawing board for A3 sheet?
 - a) 1500mmX1000mm
 - b) 1000mmX700mm
 - c) 700mmX500mm
 - d) 500mmX500mm
2. Standard size of drawing sheet as per BIS for A3 sheet?
 - a) 841mm X 1189mm
 - b) 549mm X 841mm
 - c) 420mm X 594mm
 - d) 297mm X 420mm
3. What is the use of reference grid
 - a) It is use to convey the location of a particular view
 - b) to Identify the scale of drawing
 - c) to prepare title block
 - d) to identify the drawing number
4. Distance from the observer to the object is finite and the object is viewed from single point, is a characteristic of which view?
 - a) parallel view
 - b) prospective view
 - c) both (a) and (b)
 - d) none of the above
5. What is a purpose of hatching
 - a) to show the presence of a material
 - b) to show the hollow areas
 - c) none of the above
 - d) both (a) and (b)



BHARTIYA SKILL DEVELOPMENT UNIVERSITY

Section – B

03X02 = 06 Marks

6. Define parallel projection.
7. Define prospective projection.
8. Explain engineering drawing.

Section – C

03X03 = 09 Marks

9. Write the difference between first angle projection and third angle projection with neat and clean figure.
10. For the given deviation in the Figure (a), write down the nominal size, maximum size, minimum size, upper deviation, lower deviation and tolerance.

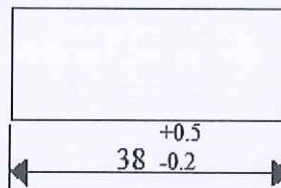


Figure (a)

11. Define tolerance.



School of Manufacturing Skills

Session: 2020-21 (Winter Semester)

B. Voc. Program, III Semester,

I In-Sem. Examination

Course Code: GEN1305

Course Name: Elementary Drawing Skills

Time: 1 Hour

Max. Marks: 20

Answer Key

Section – A

05X01 = 05 Marks

1. Standard dimension of engineering drawing board for A3 sheet?
 - a) 1500mmX1000mm
 - b) 1000mmX700mm
 - c) 700mmX500mm
 - d) **500mmX500mm**
2. Standard size of drawing sheet as per BIS for A3 sheet?
 - a) 841mm X 1189mm
 - b) 549mm X 841mm
 - c) 420mm X 594mm
 - d) **297mm X 420mm**
3. What is the use of reference grid
 - a) **It is use to convey the location of a particular view**
 - b) to Identify the scale of drawing
 - c) to prepare title block
 - d) to identify the drawing number
4. Distance from the observer to the object is finite and the object is viewed from single point, is a characteristic of which view?
 - a) parallel view
 - b) **perspective view**
 - c) both (a) and (b)
 - d) none of the above
5. What is a purpose of hatching
 - a) **to show the presence of a material**
 - b) to show the hollow areas
 - c) none of the above
 - d) both (a) and (b)

Section – B

03X02 = 06 Marks

6. Define parallel projection?

Ans parallel projection



BHARTIYA SKILL DEVELOPMENT UNIVERSITY

- Distance from the observer to the object is infinite; Projection lines are parallel and object is positioned at infinity.
- Less realistic but easier to draw.

7. Define prospective projection?

Ans prospective projection

- Distance from the observer to the object is finite and the object is viewed from a single point projectors are not parallel.
- Perspective projections mimic what the human eyes see, however, they are difficult to draw.

8. Explain engineering drawing?

Ans

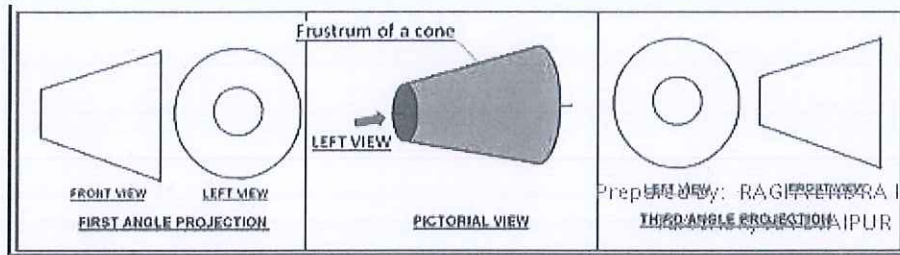
- Engineering Drawing is the Graphical means of expressing technical details without the barrier of language.
- It is the Universal Language for Engineers.

Section – C

03X03 = 09 Marks

9. Write the difference between first angle projection and third angle projection with neat and clean figure

First angle projection	Third-angle projection
Object is kept in the first quadrant.	Object is assumed to be kept in the third quadrant.
Object lies between observer and the plane of projection.	Plane of projection lies between the observer and the object.
The plane of projection is assumed to be non-transparent.	The plane of projection is assumed to be transparent.
Front (elevation) view is drawn above the XY line	Front (elevation) view is drawn below the XY line
Top (plan) view is drawn below the XY line	Top (plan) view is drawn above the XY line
Left view is projected on the right plane and vice versa	Left view is projected on the left plane itself.
Followed in India, European countries	Followed in USA



10. For the given deviation in the Figure (a), write down the nominal size, maximum size, minimum size, upper deviation, lower deviation and tolerance?

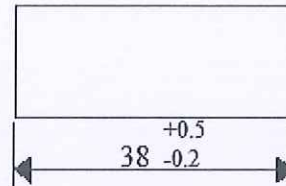


Figure (a)

Ans

Nominal Size =	<input style="width: 50px;" type="text" value="38"/>
Maximum Size =	<input style="width: 50px;" type="text" value="38.5"/>
Minimum size =	<input style="width: 50px;" type="text" value="37.8"/>
Upper Deviation =	<input style="width: 50px;" type="text" value="0.5"/>
Lower Deviation =	<input style="width: 50px;" type="text" value="-0.2"/>
Tolerance =	<input style="width: 50px;" type="text" value="0.7"/>

11. Define tolerance?

Ans Tolerances is the permissible variation in measurements deriving from the base measurement. Tolerances can apply to many different units. ... But regardless of the unit, a tolerance states an acceptable measurement range from the base point (nominal value)



School of Automotive Skills
Session: 2020-21 (Winter Semester)
B. Voc. Program, 3rd Semester,
1st In-Sem. Examination

OP

Course Code: GEN1308

Time: 1 Hour

Course Name: Basics of AutoCAD & SolidWorks

Max. Marks: 20

Instruction:

1. Answer all questions from section – A, each question carries one mark.
2. Answer all questions from section – B, each question carries two marks.
3. Answer all questions from section – C, each question carries three marks.

Section – A

05X01 = 05 Marks

Q1. What does UCS means? (*In the context of CAD*)

- a) User Coordinate System.
- b) United CAD Software.
- c) Unite, Cut and Select.
- d) Unique Coordinate System.

Q2. If the following actions are taken (*Dynamic input, turned OFF*)

1. Write **CIRCLE** and hit Enter
2. Write **0,0** and hit Enter
3. Write **D** and hit Enter
4. Write **20** and hit Enter, then what of the following will happen?
 - a) AutoCAD will draw a circle of R=20.
 - b) AutoCAD will draw a circle of R=10 and the center of the circle will be placed at 0,0.
 - c) AutoCAD will draw a circle of D=10 and the center of the circle will be placed at 0,0.
 - d) None of the above.

Q3. What is the keyboard shortcut to turn ON/OFF the **Object Snap (OSNAP)** in AutoCAD?

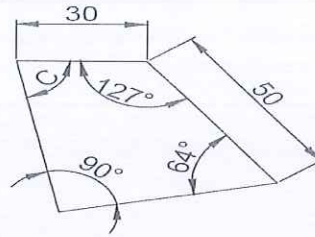
- | | |
|--------|--------|
| a) F3. | c) F7. |
| b) F8. | d) F1. |

Q4. The primary difference between the Model tab and the Layout tab(s) is ____.

- a) the Model tab is used for drawing in 3D and a Layout is used for drawing in 2D.
- b) the Model tab is where you create the drawing and a Layout tab represents the sheet that you will plot or print on.
- c) the color of the background.
- d) the Model tab displays the drawing you are copying from and the Layout tab is where you lay out the new drawing.

Q5. What is the value of C in the following image?

- a) 70.
- b) 69.
- c) 79.
- d) 88.



Section – B

03X02 = 06 Marks

Q6. What are grips, cross hairs & rubber band line?

Q7. What is the purpose of AutoCAD Software?

Q8. What is the file formats used in AutoCAD?

Section – C

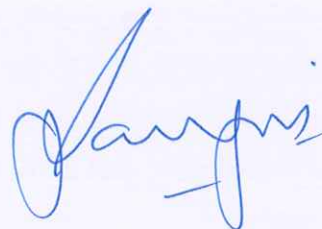
03X03 = 09 Marks

Q9. Explain the followings commands:

- | | |
|------------|------------|
| a) Offset. | d) Move. |
| b) Trim. | e) Extend. |
| c) Copy. | f) Mirror. |

Q10. What is the Procedure to Draw a Line More Than One Time and Save It Automatically?

Q11. Explain the six-methods through which Circle can be created in AutoCAD?





School of Automotive Skills
Session: 2020-21 (Winter Semester)
B. Voc. Program, 3rd Semester,
1st In-Sem. Examination

Course Code: GEN1308

Course Name: Basics of AutoCAD & SolidWorks

Section – A

Time: 1 Hour

Max. Marks: 20

05X01 = 05 Marks

Answer Key

Q1. What does UCS means? (*In the context of CAD*)

- a) User Coordinate System.
- b) United CAD Software.
- c) Unite, Cut and Select.
- d) Unique Coordinate System.

Answer: a. User Coordinate System.

Q2. If the following actions are taken (*Dynamic input, turned OFF*)

- 1. Write **CIRCLE** and hit Enter
- 2. Write **0,0** and hit Enter
- 3. Write **D** and hit Enter
- 4. Write **20** and hit Enter, then what of the following will happen?
 - a) AutoCAD will draw a circle of R=20.
 - b) AutoCAD will draw a circle of R=10 and the center of the circle will be placed at 0,0.
 - c) AutoCAD will draw a circle of D=10 and the center of the circle will be placed at 0,0.
 - d) None of the above.

Answer: b. AutoCAD will draw a circle of R=10 and the center of the circle will be placed at 0,0.

Q3. What is the keyboard shortcut to turn ON/OFF the **Object Snap (OSNAP)** in AutoCAD?

- a) F3.
- b) F8.
- c) F7.
- d) F1.

Answer: a. F3.

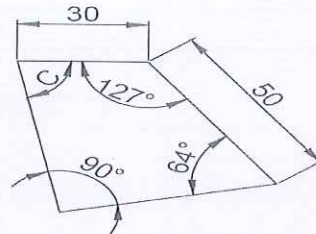
Q4. The primary difference between the Model tab and the Layout tab(s) is ____.

- a) the Model tab is used for drawing in 3D and a Layout is used for drawing in 2D.
- b) the Model tab is where you create the drawing and a Layout tab represents the sheet that you will plot or print on.
- c) the color of the background.
- d) the Model tab displays the drawing you are copying from and the Layout tab is where you lay out the new drawing.

Answer: b. the Model tab is where you create the drawing and a Layout tab represents the sheet that you will plot or print on.

Q5. What is the value of C in the following image?

- a) 70°
- b) 69°
- c) 79°
- d) 88°



Answer: c. 79°

Section – B

03X02 = 06 Marks

Q6. What are grips, cross hairs & rubber band line?

Answer: Grips are small boxes that appear on the objects you select. You can move or edit an object by dragging a grip.

Cross hairs are the point from which any command starts to draw on the workspace.

Rubber band line is a free line which shows the direction and virtual line which starts from cross hair location point.

Q7. What is the purpose of AutoCAD Software?

Answer:

- AutoCAD software provides the design and the shape for the products that needs to be created.
- It provides flexible and user friendly features with the tools to design the applications and document the workflows.
- This involves aggregate and import models for the formats and usually allows the design to get created without any change in source model.
- It provides tools to provide the formats by detailed designing the layouts and drawings using the views automatically.
- It also has the provision to create detailed design layouts and views can be drawn automatically using the source model.

Q8. What is the file formats used in AutoCAD?

Answer: In AutoCAD, “.dwg” file format is used for design, it can be an interchangeable format. The file format which is interchangeable has the extension as DXF and operates data operability. It provides different languages which can be used as per the requirement.

Section – C

03X03 = 09 Marks

Q9. Explain the followings commands:

- | | |
|------------|------------|
| a) Offset. | d) Move. |
| b) Trim. | e) Extend. |
| c) Copy. | f) Mirror. |

Answer:

- a) **Offset:** This command is used to create concentric circles, parallel lines & parallel curves.
- b) **Trim:** This command is used to allow you to shorten an entity to an intersection or remove a section of an entity between two intersections. In order to trim an object, you must draw a second object which forms the “cutting edge”. Cutting edges can be lines, x lines, rays, polyline, circles, arcs or ellipses. Blocks and text cannot be trimmed or used as cutting edge.
- c) **Copy:** This command can be used to create one or more duplicates of any drawing object or objects which you have previously created. Copy is a very useful and time-saving command because you can create very complex drawing elements & then simply copy them as many times as you like.
- d) **Move:** This command is used to displace object from one location to another location.
- e) **Extend:** This command can be used to extend a part of an object. In order to extend an object, you must draw a second object which forms the “boundary edge”. Boundary edges can be lines, x lines, rays, polylines, circles, arcs or ellipses. Blocks & text cannot be extended or used as boundary edges.
- f) **Mirror:** This command is used to create mirrored copy of selected object.

Q10. What is the Procedure to Draw a Line More Than One Time and Save It Automatically?

Answer:

- AutoCAD allows the file to be written in multiple instances of the processes and it limit the resources that needs to be used as well.
- When a new line needs to be drawn the process opens up another file in a new session to write the file.
- AutoCAD allows saving multiple drawings to be saved for each session and it can be used to create the application.
- The files are saved by using the file extension as .dwg and it can be modified using the browser.
- The file extension needs to be hidden and it needs to show allowing the selection of the option as well.
- The file modification takes place by checking the AutoCAD operations and opening up of the drawing.

Q11. Explain the six-methods through which Circle can be created in AutoCAD?

Answer:

1. Centre radius: Draws a circle based on a centre point and a radius.
2. Centre diameter: Draws a circle based on a centre point & a diameter.
3. 3 Point: Draw a circle based on three points on the circumference.
4. 2 Point: Draw a circle based on two endpoints of the diameter.
5. TTR (Tangent,Tangent, Radius): Draws a circle with a specified radius tangent to two objects.
6. TTT (Tan, Tan, Tan): Draws a circle tangent to three objects.