



School of General Education  
Session: 2021-22 (Winter Semester)  
B. Voc. Program, III Semester  
End-Sem. Examination

Course Code: GEN1301

Time: 2 Hours

Course Name: Spoken English

Max. Marks: 50

**Instruction:** The question paper comprises three sections A, B & C. Marks allotted are mentioned against each section. Attempt *all* questions.

Section – A

10X01 = 10 Marks

**Q1.** Choose the passive voice of the following sentence from the given options:

*He plucks a rose.*

- (a) A rose plucked by him. (c) A rose will be plucked by him.  
(b) A rose was plucked by him. (d) A rose is plucked by him.

**Q2.** Fill in the blank with the correct option:

Jack is from Spain, \_\_\_\_\_ he? (isn't/ is)

**Q3.** The term *Siesta* in the *Snake in the Grass* means:

- (a) a short nap (c) a working day  
(b) a long holiday (d) a hot day

**Q4.** Which of these terms refer to study of speech sounds?

- (a) Phonology (c) Phonetics  
(b) Substances (d) Semantics

**Q5.** Choose the correct answer for the indirect speech of the given sentence:

Siva said to me, "I am waiting here for you?"

- (a) Siva said that I am waiting here for you.  
(b) Siva said that he was waiting there for him.  
(c) Siva said that he was waiting there for me.  
(d) Siva said that he had been waiting there for him.

**Q6.** Change the following sentence from active to passive voice. *The doctor will cure me.*

**Q7.** Fill in the blank with the correct modal verb:

*You have not eaten the whole day. You \_\_\_\_\_ be hungry.*

- (a) Can (c) May  
(b) Should (d) Must

**Q8.** Combination of two vowel sounds is:

- (a) Monophthong (c) Consonant  
(b) Diphthong (d) Short vowel sound

**Q9.** Fill in the blank with the opposite of the given word: *Kind*

- (a) Polite (c) Sober  
(b) Gentle (d) Cruel

**Q10.** Fill in the blank with the correct option: He can speak French, \_\_\_\_\_ he? (can/can't)

**Section – B**

04X04 = 16 Marks

**Q11.** Explain the lines with reference to the context:

*What is this life if, full of care,*

*We have no time to stand and stare?*

**Q12.** Make sentences with the following words:

(a) Strict

(c) Sincere

(b) Bright

(d) Angry

**Q13.** Write the central idea of the poem *Virtue*.

**Q14.** Convert the given sentences in reported speech:

(a) He said, "I am happy."

(b) He said, "I'm looking for my keys."

(c) He said, "I've lived here for a long time."

(d) He said, I have been playing football for two hours."

**Section – C**

04X06 = 24 Marks

**Q15.** Write a short summary of the poem *Leisure*.

**Q16.** Write a paragraph on the given topic: *My Favourite Sport*

**Q17.** Draft a conversation in about 10-15 sentences between yourself and your friend for making plans for the coming weekend.

**Q18.** Read the following text and answer the questions given below:

Rick, about 5 foot 7 inches tall, is in good health and is a cheerful boy, whom I came to know while trekking through his village in Oregon in 1997. I enjoyed staying with him and working on his dairy farm where I experienced a new mode of living. Professionally speaking, for a living I am a fashion designer, so it was a new life style and entirely a new set of circumstances of me. We worked together with over 2000 cattle, and six cowboys. Rick, the master, was interesting and friendly to everyone. In the mornings and evenings, we had to milk cows, and in the afternoons, we led the cows to the pastures in order that they could graze. We had to go across many fields and meadows to get there. Due to spending so much time together, the cattle and people almost seemed to be familiar with one-another. The fields were vivid green, and the sky was particularly blue, and all of us looked around in amazement at the contrast of colors. It was like being in an entirely different world. I had not planned to stay for a whole month however, but the freshness of the situation made me forget my home and career. Rick looked after everything for me and gave me great deal of his attention and time. I found Rick different from my other friends, interested about me, caring, and highly friendly.

(a) What did the writer think of his new job?

(b) What was his daily duty?

(c) How was Rick different from writer's other friends?

(d) Make a precis of the passage given above.

( 3 Marks)

\*\*\*\*\*

Registration No.: .....

School of General Education

Session: 2021-22

B. Voc. Program, III Semester,

End-Sem. Examination

Course Code: GEN1301

Time: 2 Hours

SET A

Section – A

10X01 = 10 Marks

Q1. Choose the passive voice of the following sentence from the given options:

*He plucks a rose.*

- (a) A rose plucked by him. (c) A rose will be plucked by him.  
(b) A rose was plucked by him. (d) **A rose is plucked by him.**

Q2. Fill in the blank with the correct option:

Jack **is** from Spain, \_\_\_\_\_ he? (isn't/ is)

Q3. The term *Siesta* in the 'Snake in the Grass' means:

- (a) **a short nap** (c) a working day  
(b) a long holiday (d) a hot day

Q4. Which of these terms refer to study of speech sounds?

- (a) Phonology  
(b) Substances  
(c) **Phonetics**  
(d) Semantics

Q5. Choose the correct answer for the indirect speech of the given sentence:

Siva said to me, "I am waiting here for you.?"

- (a) Siva said that I am waiting here for you.  
(b) Siva said that he was waiting there for him.  
(c) **Siva said that he was waiting there for me.**  
(d) Siva said that he had been waiting there for him.

Q6. Change the following sentence from active to passive voice.

The doctor will cure me.

**I will be cured by the doctor.**

Q7. Fill in the blank with the correct modal verb:

*You have not eaten the whole day. You ..... be hungry.*

- (a) Can
- (b) Should

- (c) May
- (d) **Must**

**Q8.** Combination of two vowel sounds is:

- (a) Monophthong
- (b) **Diphthong**

- (c) Consonant
- (d) Short vowel sound

**Q9.** Fill in the blank with the opposite of the given word: *Kind*



## BHARTIYA SKILL DEVELOPMENT UNIVERSITY

- (a) Polite
  - (b) Gentle
  - (c) Sober
  - (d) **Cruel**
- Q10. Fill in the blank with the correct option:  
(a) He can speak French, \_\_\_\_\_ he? ( can/can't)

### Section – B

04X04 = 16 Marks

Q11. Explain with reference to the context:

*What is this life if, full of care,  
We have no time to stand and stare?*

**Ans.** In these lines the poet bewails our rushed life. The poet says that we cannot call this life a pure life, if it is full of worries and anxiety. We have no time to stand at a certain place and look carefully at nature.

Q12. Make sentences with the following words:

- (a) Strict- My teacher is very **strict**.
- (b) Bright- The day is very **bright**.
- (c) Sincere- My friend is **sincere**.
- (d) Angry- My friend is **angry** with me today.

Q13. Write a short summary of the poem 'Virtue'.

**Ans.** This poem is about the virtuous(good) soul that never dies. The day is beautiful and bright and looks as beautiful as a bride. It will die and the sky will weep. The rose is bright in colour and people cannot look at it for a long time. It will also die one day. The spring season is wonderful. Everything is bright and colourful. Even that will die one day. The poet says that a good soul will never die. It is like polished wood and even if everything else is dead, it will live.

Q14. Convert the given sentences in reported speech:

- (a) He said, "I am happy."  
**He said that he was happy.**
- (b) He said, "I'm looking for my keys."  
**He said that he was looking for his keys.**
- (c) He said, "I've lived here for a long time."  
**He said that he had lived there for a long time.**
- (d) He said, "I have been playing football for two hours."  
**He said that he had been playing football for two hours.**

### Section – C

04X06 = 24 Marks

Q15. Write a short summary of the poem 'Leisure'.



## BHARTIYA SKILL DEVELOPMENT UNIVERSITY

**Ans.** In this poem, 'Leisure', the poet William Davies is telling us about our hectic life. We have no time to admire the nature around us. Even we cannot spare a few moments to stand under the branches of green trees and enjoy the beautiful and restful shades of the trees. The common animals like sheep and cows are better than us in enjoying life. We cannot look at them grazing in the pastures/grasslands. When we pass through some forests, we do not have time to stop for some moments to look at the trees-tall and short, and enjoy their natural beauty. The dark green trees provide a soothing/calming effect but we are always hurried and cannot enjoy at least the simple beauty. Also we cannot look at the small animals like squirrels concealing/hiding their food-grain in the grass for the winter. During day time, when the rays of the sun fall upon the clear water of the rivers, the water reflects and shines like stars in the sky during night. But busy people do not have time to see this. The natural beauty is scattered all around us. Natural beauty is personified as a young beautiful dancing girl having a smiling face. But we have no time to stand at a place and look carefully at nature that can refresh us. As human beings, we should spare some moments and look at nature and natural beauty spread around us and enjoy life.

**Q16.** Write a paragraph on the given topic:

(a) My Favourite Sport

**Ans.** Students will write about their favourite sport.

**Q17.** Draft a conversation in about 10-15 sentences for making plans for the coming weekend with your friend.

**Ans.** Exchanges between yourself and your friend using different utterances.

**Q18.** Read the following text and answer the questions given below:

Rick, about 5 foot 7 inches tall, is in good health and is a cheerful boy, whom I came to know while trekking through his village in Oregon in 1997. I enjoyed staying with him and working on his dairy farm where I experienced a new mode of living. Professionally speaking, for a living I am a fashion designer, so it was a new life style and entirely a new set of circumstances of me. We worked together with over 2000 cattle, and six cowboys. Rick, the master, was interesting and friendly to everyone. In the mornings and evenings, we had to milk cows, and in the afternoons, we led the cows to the pastures in order that they could graze. We had to go across many fields and meadows to get there. Due to spending so much time together, the cattle and people almost seemed to be familiar with one-another. The fields were vivid green, and the sky was particularly blue, and all of us looked around in amazement at the contrast of colors. It was like being in an entirely different world. I had not planned to stay for a whole month however, but the freshness of the situation made me forget my home and career. Rick looked after everything for me and gave me great deal of his attention and time. I found Rick different from my other friends, interested about me, caring, and highly friendly.

(a) What did the writer think of his new job?

(b) What was his daily duty?

(c) How was Rick different from writer's other friends?

(d) Make a precis of the passage given above.

(3 Marks)

**Answers:**

(a) He thought a new life style of living because he was a fashion designer but he had to spend his life with the cattle and cow-boys.



# BHARTIYA SKILL DEVELOPMENT UNIVERSITY

Registration No.: .....

**School of General Education**  
**Session: 2021-22 (Winter Semester)**  
**B. Voc. Program, III Semester**  
**End-Sem. Examination**

**Course Code: GEN1301**

**Time: 2 Hours**

**Course Name: Spoken English**

**Max. Marks: 50**

**Instruction:** The question paper comprises three sections A, B & C. Marks allotted are mentioned against each section. Attempt *all* questions.

**Section – A**

10X01 = 10 Marks

**Q1.** English language system has \_\_\_\_\_ speech sounds.

- (a) 40 (c) 26  
(b) 44 (d) 50

**Q2.** Choose the correct passive voice of the following sentence from the given options:

*She completed her work.*

- (a) Her work was completed. (c) Her work will be completed by her.  
(b) Who has completed her work? (d) Her work is completed.

**Q3.** Complete the sentence with the word as given in the poem:

*My \_\_\_\_\_ shows ye have your closes, And all must die.*

- (a) Chief (c) Music  
(b) Virtuous (d) Live

**Q4.** In the story, *Snake in the Grass*, there are \_\_\_\_\_ members in the family.

- (a) 4 (c) 3  
(b) 5 (d) 6

**Q5.** Choose the correct answer for the indirect speech of the given sentence:

*She says "I am happy".*

- (a) She said that I am happy. (c) She said that she was happy.  
(b) She says that she is happy. (d) She says that she was happy.

**Q6.** Change the following sentence from active to passive voice. *She teaches me.*

**Q7.** \_\_\_\_\_ is the writer of the poem *Leisure*.

- (a) George Herbert (c) R.K. Narayan  
(b) W. H. Davies (d) Robert Frost

**Q8.** Which among the following words has the given speech sound- /i /

- (a) sit (c) fear  
(b) seat (d) fleet

**Q9.** Select the opposite of the given word: *Sincere*

- (a) Polite (c) Strict  
(b) Unsincere (d) Insincere

**Q10.** Fill in the blank with the correct option:

She is happy, ..... she? (is/ isn't)

## Section – B

04X04 = 16 Marks

**Q11.** Explain the lines with reference to the context:

*Sweet day, so cool, so calm, so bright,  
The bridal of the earth and sky;  
The dew shall weep thy fall tonight,  
For thou must die.*

**Q12.** Make sentences with the following words:

- |              |              |
|--------------|--------------|
| (a) Kind     | (c) Honest   |
| (b) Pleasant | (d) Humorous |

**Q13.** Write a short summary of the poem *Virtue*.

**Q14.** Convert the given sentences into reported speech:

- (a) The father said, "My son is happy."
- (b) The teacher said, "The Earth revolves around the Sun."
- (c) Shyam said, "My niece is singing a song."
- (d) She said, "I like ice cream."

## Section – C

04X06 = 24 Marks

**Q15.** Draft a conversation in about 10-15 sentences between two friends- Ramesh and Mahesh in a situation where they are discussing about preparation for the forthcoming End Sem. Exams.

**Q16.** Write a paragraph on the given topic: *My Favourite Leader*

**Q17.** Write the summary of the short story *A Snake in the Grass*.

**Q18.** Read the following text and answer the questions given below:

Psychology is the study of human behaviour of how people behave and why they behave in just the way they do. Its chief purpose is to know more about human nature and human activity. In the past psychology was defined as the science of soul or mind but it is not possible to have any direct knowledge of the soul or mind. Whole behaviour is objective and can be observed, both soul and mind are just assumptions, and even if we agree that they are justifiable assumptions, they cannot be observed and are not a proper object of scientific study. Later psychology was defined as the science of consciousness or conscious experience, but nobody has been able to say what makes us conscious of things and people around us, and in any case there are a number of things an individual does without being aware of them. Many people bite their nails or move their heads and are surprised when their attention is drawn to these acts. They perform them unconsciously. Besides anybody experiences his own private and personal world into which others cannot enter. It is known directly only to him who has that experience. But a person's behavior is open to everybody to observe, it can be directly studied and it is better to confine the study of psychology to behaviour alone, to those activities of the individual which can be observed, compared and analyzed by all. It is a systematic study of all that man does in response to his world of things and persons.

- (a) What do you understand by the term psychology?
- (b) What is the chief purpose of psychology?
- (c) State whether the following statement is True or False:

*Many people bite their nails consciously.*

- (d) Make a precis of the passage given above.

( 3 Marks)

\*\*\*\*



# BHARTIYA SKILL DEVELOPMENT UNIVERSITY

Course Code: GEN1301 SET B  
Hours

Time: 2

## Answer Key

### Section – A

10X01 = 10 Marks

Q1. English language has \_\_\_\_\_ sounds.

- |        |        |
|--------|--------|
| (a) 40 | (c) 26 |
| (b) 44 | (d) 50 |

Q2. Choose the passive voice of the following sentence from the given options:

*She completed her work.*

- |                                 |  |
|---------------------------------|--|
| (a) Her work was completed.     | (c) Her work will be completed by her. |
| (b) Who has completed her work? | (d) Her work is completed.             |

Q3. Complete the sentence with the right word as given in the poem:

*My \_\_\_\_\_ shows ye have your closes,  
And all must die.*

- |              |           |
|--------------|-----------|
| (a) Chief    | (c) Music |
| (b) Virtuous | (d) Live  |

Q4. In the story, *Snake in the Grass* the family consisted \_\_\_\_\_ members:

- |       |       |
|-------|-------|
| (a) 4 | (c) 3 |
| (b) 5 | (d) 6 |

Q5. Choose the correct answer for the indirect speech of the given sentence:

*She says "I am happy".*

- |                                 |                                  |
|---------------------------------|----------------------------------|
| (a) She said that I am happy.   | (c) She said that she was happy. |
| (b) She says that she is happy. | (d) She says that she was happy. |

Q6. Change the following sentence from active to passive voice.

She teaches me.

**I am taught by her.**

Q7. \_\_\_\_\_ is the writer of the poem *Leisure*.

- |                    |                  |
|--------------------|------------------|
| (a) George Herbert | (c) R.K. Narayan |
| (b) W. H. Davies   | (d) Robert Frost |

Q8. Which among the given words has the given speech sound- /i /

- |          |           |
|----------|-----------|
| (a) sit  | (c) fear  |
| (b) seat | (d) fleet |

Q9. Fill in the blank with the opposite of the given word: *Sincere*

- |               |               |
|---------------|---------------|
| (a) Polite    | (c) Strict    |
| (b) Unsincere | (d) Insincere |



Q10. Fill in the blank with the correct option:

- (a) She is happy, ..... she? (is/ isn't)

Section – B

04X04 = 16 Marks

Q11. Explain with reference to the context:

*Sweet day, so cool, so calm, so bright,  
The bridal of the earth and sky;  
The dew shall weep thy fall tonight,  
For thou must die.*

**Ans. The day is beautiful and bright and looks as beautiful as a bride. It will die and the sky will weep.**

Q12. Make sentences with the following words:

- (a) Kind- My father is a **kind** person.  
(b) Pleasant- The weather is **pleasant** today.  
(c) Honest- Ram is an **honest** boy.  
(d) Humorous- I am a **humorous** person.

Q13. Write a short summary of the poem 'Virtue'.

**Ans. This poem is about the virtuous(good) soul that never dies. The day is beautiful and bright and looks as beautiful as a bride. It will die and the sky will weep. The rose is bright in colour and people cannot look at it for a long time. It will also die one day. The spring season is wonderful. Everything is bright and colourful. Even that will die one day. The poet says that a good soul will never die. It is like polished wood and even if everything else is dead, it will live.**

Q14. Convert the given sentences into reported speech:

- (a) The father said, "My son is happy."  
**The father said that her son was happy.**
- (b) The teacher said, "The Earth revolves around the Sun."  
**The teacher said that the earth revolves around the Sun.**
- (c) Shyam said, "My niece is singing a song."  
**Shyam said that his niece was singing a song.**
- (d) She said, "I like ice cream."  
**She said that she liked ice cream.**

Section – C

04X06 = 24 Marks

Q15. Draft a conversation in about 10-15 sentences between yourself and your friend while walking to the next class.

**Ans. Exchanges between yourself and your friend using different utterances.**



Q16. Write a paragraph on the given topic:

- (a) My Favourite Leader

**Ans. Students will write about their favourite leader.**

Q17. Write the summary of the short story *A Snake in the Grass*.

**Ans. The story *A Snake in the Grass* by R.K. Narayan has four family members. One day a snake enters the house. The family orders the servant Dasa to catch the snake, who hesitantly tries to catch. In a search for the snake the Garden of the bungalow is laid down. After a great commotion Dasa brings a pot covered with a stone declaring his triumph n catching the snake. The family is happy. But in a short while they see the snake crawling out of a hole in the garden looking at them with its half hood risen. The family is in dilemma if there were two snakes or was Dasa fooling them.**

Q18. Read the following text and answer the questions given below:

Psychology is the study of human behaviour of how people behave and why they behave in just the way they do. Its chief purpose is to know more about human nature and human activity. In the past psychology was defined as the science of soul or mind but it is not possible to have any direct knowledge of the soul or mind. Whole behaviour is objective and can be observed, both soul and mind are just assumptions, and even if we agree that they are justifiable assumptions, they cannot be observed and are not a proper object of scientific study. Later psychology was defined as the science of consciousness or conscious experience, but nobody has been able to say what makes us conscious of things and people around us, and in any case there are a number of things an individual does without being aware of them. Many people bite their nails or move their heads and are surprised when their attention is drawn to these acts. They perform them unconsciously. Besides anybody experiences his own private and personal world into which others cannot enter. It is known directly only to him who has that experience. But a person's behavior is open to everybody to observe, it can be directly studied and it is better to confine the study of psychology to behaviour alone, to those activities of the individual which can be observed, compared and analyzed by all. It is a systematic study of all that man does in response to his world of things and persons.

- (a) Define psychology?  
(b) What is the chief purpose of psychology?  
(c) State whether the following statement is True or False:

Many people bite their nails consciously.

- (d) Make a precis of the passage given above. (3 Marks)

**Answers:**

- (a) Psychology is the study of human behaviour of how people behave and why they behave in just the way they do.  
(b) Its chief purpose is to know more about human nature and human activity.  
(c) False  
(d) Psychology is the study of human behaviour. Its chief purpose is to know more



## BHARTIYA SKILL DEVELOPMENT UNIVERSITY

about human nature and human activity. Earlier, psychology was defined as the science of soul or mind but later it was defined as the science of consciousness or conscious experience. Many people bite their nails or move their heads and are surprised when their attention is drawn to these acts. They perform them unconsciously. A person's behavior can be directly studied and it is better to confine the study of psychology to behaviour alone, to those activities of the individual which can be observed, compared and analyzed by all. It is a systematic study of all that man does in response to his world of things and persons.

\*\*\*\*\*



# BHARTIYA SKILL DEVELOPMENT UNIVERSITY

Registration No.: .....

**School of General Education**  
**Session: 2021-22 (Winter Semester)**  
**B. Voc. Program, III Semester,**  
**End-Sem. Examination**

**Course Code: GEN1302**

**Time: 2 Hour**

**Course Name: Computer Aided Drawing**

**Max. Marks: 50**

**Instructions:**

1. Attempt all questions.
2. Section A contains 10 Questions. Each question carries 1 Mark.
3. Section B contains 04 Questions. Each question carries 4 Marks.
4. Section C contains 04 Questions. Each question carries 6 Marks.

**Section – A**

10X01 = 10 Marks

1. The line given below is used for
  - a) Long-break line
  - b) Hidden line
  - c) Centroidal lines
  - d) Out lines of adjacent parts
2. Which among the following represent the no machining symbol?

a)

b)

c)

d) None of the above

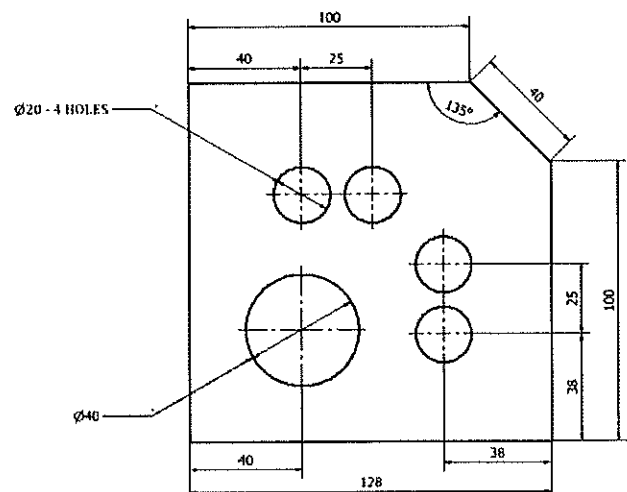
3. Which of the following dimensions represent the MAXIMUM horizontal dimension?

a) 100

b) 25

c) 40

d) 128





## BHARTIYA SKILL DEVELOPMENT UNIVERSITY

4. If a right-angle cone is placed with its base parallel to horizontal plane what will be its top view-
  - a) triangle
  - b) point
  - c) line
  - d) circle
  
5. What is the representative factor of a line, whose length is 18cm on the drawing sheet, representing an actual length of 6cm?
  - a) 1:50
  - b) 3:1
  - c) 1:24
  - d) 1:60
  
6. Which of the following is the other name for FRONT VIEW?
  - a) Elevation
  - b) Plan
  - c) Section
  - d) None of the above
  
7. The visible parts inside or back side of the object while represented in orthographic projection are represented by which line?
  - a) Continuous thick line
  - b) Continuous thin line
  - c) Dashed thin line
  - d) Long-break line
  
8. Which of the following angle sets is not possible to draw with the help of set-squares?
  - a)  $60^{\circ}$ - $30^{\circ}$
  - b)  $45^{\circ}$ - $90^{\circ}$
  - c)  $0^{\circ}$ - $90^{\circ}$
  - d)  $75^{\circ}$ - $35^{\circ}$
  
9. Which of the following is the HARDEST pencil?
  - a) 3H
  - b) H
  - c) HB
  - d) 2B
  
10. The image obtained by projection is known as \_\_\_\_\_:
  - a) Projectors
  - b) Plane of projection
  - c) Viewer
  - d) View



# BHARTIYA SKILL DEVELOPMENT UNIVERSITY

## Section- B

04X4= 16 Marks

11. Write down the name of any 2-drawing instrument with their diagram and 2 uses each?
12. Differentiate between parallel and perspective view of projection.
13. Define layout of engineering drawing with its components.
14. Describe the four different types of sizes with a proper example.

## Section- C

04X6= 24 Marks

15. Differentiate between the first angle and third angle of projections.
16. What is sectioning state different types of section views with diagrams each?
17. Write down the difference between artistic drawing and engineering drawing.
18. Calculate the following for 145E6:
  - a) Upper deviation
  - b) Minimum size
  - c) Nominal size
  - d) Fundamental deviation
  - e) Upper limit
  - f) Lower deviation
  - g) basic size h)
  - h) Tolerance zone
  - i) IT grade
  - j) Tolerance class



# BHARTIYA SKILL DEVELOPMENT UNIVERSITY

ISO Tolerances for Holes (ISO 286-2)																						
Nominal hole sizes (mm)																						
over	3	6	10	18	30	40	50	65	80	100	120	140	160	180	200	225	250	280	315	355		
inc.	6	10	18	30	40	50	65	80	100	120	140	160	180	200	225	250	280	315	355	400		
micrometres																						
<b>E6</b>	+28	+34	+43	+53	+66	+79	+94	+110	+129	+142	+161	+20	+25	+32	+40	+50	+60	+72	+85	+100	+110	+125
	+32	+40	+50	+61	+75	+90	+107	+125	+146	+162	+185	+20	+25	+32	+40	+50	+60	+72	+85	+100	+110	+125
<b>E7</b>	+95	+115	+142	+170	+210	+250	+292	+335	+390	+430	+485	+20	+25	+32	+40	+50	+60	+72	+85	+100	+110	+125
	+140	+175	+212	+250	+300	+360	+422	+485	+560	+630	+695	+20	+25	+32	+40	+50	+60	+72	+85	+100	+110	+125
<b>E11</b>	+200	+245	+302	+370	+440	+520	+612	+715	+820	+920	+1 015	+20	+25	+32	+40	+50	+60	+72	+85	+100	+110	+125
	+18	+22	+27	+33	+41	+49	+58	+68	+79	+88	+98	+10	+13	+16	+20	+25	+30	+36	+43	+50	+56	+62
<b>F6</b>	+22	+28	+34	+41	+50	+60	+71	+83	+96	+108	+119	+10	+13	+16	+20	+25	+30	+36	+43	+50	+56	+62
	+28	+35	+43	+53	+64	+76	+90	+106	+122	+137	+151	+10	+13	+16	+20	+25	+30	+36	+43	+50	+56	+62
<b>F7</b>	+12	+14	+17	+20	+25	+29	+34	+39	+44	+49	+54	+4	+5	+6	+7	+9	+10	+12	+14	+15	+17	+18
	+16	+20	+24	+28	+34	+40	+47	+54	+61	+69	+75	+4	+5	+6	+7	+9	+10	+12	+14	+15	+17	+18
<b>F8</b>	+22	+27	+33	+40	+48	+56	+66	+77	+87	+98	+107	+4	+5	+6	+7	+9	+10	+12	+14	+15	+17	+18
	+8	+9	+11	+13	+16	+19	+22	+25	+29	+32	+36	0	0	0	0	0	0	0	0	0	0	0
<b>G6</b>	+12	+15	+18	+21	+25	+30	+35	+40	+46	+52	+57	0	0	0	0	0	0	0	0	0	0	0
	+16	+20	+24	+28	+34	+40	+47	+54	+61	+69	+75	0	0	0	0	0	0	0	0	0	0	0
<b>G7</b>	+22	+27	+33	+40	+48	+56	+66	+77	+87	+98	+107	0	0	0	0	0	0	0	0	0	0	0
	+8	+9	+11	+13	+16	+19	+22	+25	+29	+32	+36	0	0	0	0	0	0	0	0	0	0	0
<b>H6</b>	+12	+15	+18	+21	+25	+30	+35	+40	+46	+52	+57	0	0	0	0	0	0	0	0	0	0	0
	+18	+22	+27	+33	+39	+46	+54	+62	+72	+81	+89	0	0	0	0	0	0	0	0	0	0	0
<b>H7</b>	+30	+36	+43	+52	+62	+74	+87	+100	+115	+130	+140	0	0	0	0	0	0	0	0	0	0	0
	+8	+9	+11	+13	+16	+19	+22	+25	+29	+32	+36	0	0	0	0	0	0	0	0	0	0	0
<b>H8</b>	+12	+15	+18	+21	+25	+30	+35	+40	+46	+52	+57	0	0	0	0	0	0	0	0	0	0	0
	+18	+22	+27	+33	+39	+46	+54	+62	+72	+81	+89	0	0	0	0	0	0	0	0	0	0	0
<b>H9</b>	+30	+36	+43	+52	+62	+74	+87	+100	+115	+130	+140	0	0	0	0	0	0	0	0	0	0	0
	+8	+9	+11	+13	+16	+19	+22	+25	+29	+32	+36	0	0	0	0	0	0	0	0	0	0	0



# BHARTIYA SKILL DEVELOPMENT UNIVERSITY

**SET-B**

Registration No.: .....

**School of General Education**  
**Session: 2021-22 (Winter Semester)**  
**B. Voc. Program, III Semester,**  
**End-Sem. Examination**

**Course Code: GEN1302**

**Time: 2 Hour**

**Course Name: Computer Aided Drawing**

**Max. Marks: 50**

**Instructions:**

1. Attempt all questions.
2. Section A contains 10 Questions. Each question carries 1 Mark.
3. Section B contains 04 Questions. Each question carries 4 Marks.
4. Section C contains 04 Questions. Each question carries 6 Marks.

**Section – A**

10X01 = 10 Marks

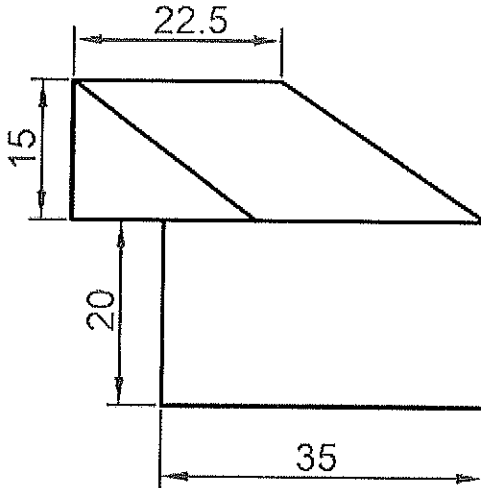
1. How is a blind drilled hole of 50mm diameter and 18mm deep dimensioned?
  - a) M15, DEEP 15
  - b) Ø50, DEEP 18
  - c) Ø15
  - d) Ø15 x 15
2. Which of the following is not a valid representative factor?
  - a) 1:2
  - b) 1:3
  - c) 2:5
  - d) 0:4
3. Which of the following is the other name for ELEVATION?
  - a) Front view
  - b) Top view
  - c) Side view
  - d) None of the above
4. Which of the following is used to fix a drawing sheet on a drawing board?
  - a) clips
  - b) pins
  - c) Adhesive tapes
  - d) Drawing pins
5. If I want to draw a line in the direction 6:00 (local time) will give an angle of:
  - a) -90 degrees
  - b) 270 degrees
  - c) 180 degrees
  - d) None of the above



## BHARTIYA SKILL DEVELOPMENT UNIVERSITY

6. If a line is placed perpendicular to a vertical plane, then its front view will be:
- Inclined line
  - Vertical line
  - Horizontal line
  - A point

7. Which of the following dimensions represents the largest horizontal dimension?



- 22.5
  - 15
  - 20
  - 35
8. The angle pair in which set squares are not available is:
- $45^\circ-45^\circ$
  - $60^\circ-30^\circ$
  - $30^\circ-75^\circ$
  - None of these
9. Which is not the use of divider?
- To divide curved or straight lines into the desired number of equal parts
  - To draw circles
  - To transfer dimensions from one part of the drawing to another part
  - To set off given distances from the scale to the drawing
10. The untrimmed size for \_\_\_\_\_ sheet is 240 mm x 330 mm.
- A1
  - A3
  - A4
  - A5



# BHARTIYA SKILL DEVELOPMENT UNIVERSITY

## Section- B

04X4= 16 Marks

11. Differentiate between engineering drawing and artistic drawing.
12. Define nominal, basic, and measured sizes with an example each.
13. Define tolerances and their types based on applicability and zero line.
14. What is isometric projection?

## Section- C

04X6= 24 Marks

15. Define projection and a component of projection with a proper diagram and also differentiate parallel and perspective projection?
16. Explain how the first angle is different from the third angle?
17. What is the difference between a broken section view and a half-section view? Explain with a diagram.
18. Explain any three drawing instruments with their diagram and uses.





# BHARTIYA SKILL DEVELOPMENT UNIVERSITY

Registration No.: .....

School of General Education  
Session: 2021-22 (Winter Semester)  
B. Voc. Program, 3rd Semester,  
End-Sem. Examination

Course Code: GEN1303  
Course Name: Entrepreneurship Development

Time: 02 Hour  
Max. Marks: 50

## Section – A

Answer following objective type questions, each question carries 01 mark.

1. The concept of Creativity is viewed as-
  - a) A process
  - b) A Technique
  - c) A Mindset
  - d) All of the above
2. Creating Value in the Marketplace is referred to as-
  - a) Creativity
  - b) Innovation
  - c) Business
  - d) Entrepreneurship
3. Which one of the following is not a step in the entrepreneurial process?
  - a) Brainstorming & Identification of the business idea,
  - b) Development of the business idea,
  - c) Determination of the dimensions of the business idea
  - d) All of the above
4. Lean approach to Business Planning focus on-
  - a) The creating a Lean Plan
  - b) Testing the plan i.e. start putting the plan into action to see if your ideas will work
  - c) Review the results for what changes need to be made & revise the plan as per the feedback, observations etc.
  - d) All of the above
5. Banks meet the need of financial assistance of a new startup company-
  - a) In the form of short term loans
  - b) In the form of long term loans
  - c) In the form of working capital assistance
  - d) All of the above
6. Market survey is a Research tool-
  - a) To directly collect feedback from the target audience
  - b) To understand Characteristics, expectations, and requirements of the target audience
  - c) To gather data for making well-informed business decisions
  - d) All of the above
7. Brainstorming is a method of generating ideas and sharing knowledge to-
  - a) Providing information in a structured format
  - b) Generate new product ideas by providing with a list of problems
  - c) Developing a new idea through a list of related issues
  - d) None of the above
8. Which one of the following is an elements of opportunity?
  - a) Creativity
  - b) Business Idea
  - c) Window of Opportunity
  - d) None of the above



## BHARTIYA SKILL DEVELOPMENT UNIVERSITY

9. The project report contains detailed information about-
  - a) Land and buildings required
  - b) Manufacturing Capacity & Manufacturing Process
  - c) Machinery & equipment along with their prices and specifications
  - d) All of the above
  
10. Environmental Scanning is always beneficial to an entrepreneur to know-
  - a) The present situation in the market
  - b) The various changes occurring in the economy as new trends
  - c) To analyze the Issues and expectations of people due to changes in the environment
  - d) All of the above

### Section - B

Answer following short answer type questions, each question carries 04 marks.

- Q-1 Distinguish between Intrapreneurship, Entrepreneurship, Self-Employment & Employment
- Q-2 Describe the concept of Entrepreneurial Marketing.
- Q-3 Distinguish between feasibility study & Environmental Scanning.
- Q-4 What is full form of RIICO, SIDBI, IDBI, IFCI, RFC, RRBs, SIDs & NABARD?

### Section - C

Answer following essay type questions, each question carries 06 marks.

- Q-1 Describe briefly the two approaches to the Entrepreneurship Process.
- Q-2 Explore & Explain the different methods of generating new business ideas.
- Q-3 Explain the role of different institutions that support new & existing entrepreneurs.
- Q-4 Discuss some of the Govt. Schemes and Programs for entrepreneurship development.



# BHARTIYA SKILL DEVELOPMENT UNIVERSITY

Registration No.: .....

School of General Education  
Session: 2021-22 (Winter Semester)  
B. Voc. Program, 3rd Semester,  
End-Sem. Examination

Course Code: GEN1303

Course Name: Entrepreneurship Development

Time: 02 Hour

Max. Marks: 50

## Section - A

Answer following objective type questions, each question carries 01 mark.

1. Industry analysis is related to-
  - a) The conduct of the market assessment of a particular industry
  - b) The monitoring of an organization's internal and external environments
  - c) The assessment of whether some idea will work or not in a particular Industry
  - d) The Brainstorming of Industry opportunities
2. Business Planning is a-
  - a) Continuous process of planning for a building a new venture
  - b) Continuous process of planning for Managing and Growing the ongoing Business ventures
  - c) Continuous process of planning for dealing with crises and worst-case scenarios
  - d) All of the above
3. A new-venture team is-
  - a) The group of founders that move a new venture from an idea to a fully functioning firm
  - b) The key employees that move a new venture from an idea to a fully functioning firm
  - c) The advisers that move a new venture from an idea to a fully functioning firm
  - d) All of the above
4. Project Report is a-
  - a) Document which provides details on the overall picture of the proposed business
  - b) written document relating to any investment.
  - c) Report about new venture project proposal
  - d) All of the above
5. Entrepreneurial marketing includes-
  - a) Innovation
  - b) Risk taking
  - c) And being proactive
  - d) All of the above
6. Which of the following is related to the Traditional Business Planning approach?
  - a) Selection of business activity
  - b) Making Right Choice of Legal form of business organization
  - c) Plan of action for Financing of new venture
  - d) All of the above
7. The 'G' in the acronym PESTLGN refers to-
  - a) Government
  - b) Global
  - c) Geographical
  - d) All of the above
8. Which of the following is a source of New Venture Financing?
  - a) Equity Financing including Angel Investors and Venture Capitalist/Private Equity
  - b) Debt Financing in the form of Loan from Banks & NBFCs,
  - c) External Commercial Borrowings
  - d) All of the above



## BHARTIYA SKILL DEVELOPMENT UNIVERSITY

9. The lean business planning method is about-
- Taking small steps
  - Consistent tracking
  - And frequent course corrections
  - All of the above
10. According to Eric Rise, Entrepreneurship is all about-
- Pursuit of opportunity beyond resources controlled
  - Exploring and creating new ways of economic activities
  - A driver of economic growth
  - None of the above

### Section - B

**Answer following short answer type questions, each question carries 04 marks.**

- Q-1 Explain the relationship between creativity, Innovation & Entrepreneurship
- Q-2 Briefly illustrate the Creative process for Creative problem solving.
- Q-3 What do you mean by SWOT analysis & Johari Window analysis?
- Q-4 Write about the knowledge and skills required to be a good entrepreneur.

### Section - C

**Answer following essay type questions, each question carries 06 marks.**

- Q-1 What is the role of Research & Survey in Entrepreneurship?
- Q-2 Briefly discuss about GST laws related to an entrepreneur
- Q-3 What are the different options of Legal forms of business organizations for starting a new venture? Explain any two options in detail.
- Q-4 Discuss the major challenges faced by an entrepreneur in starting, Managing & Growing a new venture.



# BHARTIYA SKILL DEVELOPMENT UNIVERSITY

SET-B

School of General Education  
Session: 2021-22 (Winter Semester)  
B. Voc. Program, 3rd Semester, End-Sem. Examination

## ANSWER KEYS

Course Name: Entrepreneurship Development

Course Code: GEN1303

### Section - A

Answer following objective type questions, each question carries 01 mark.

1. Industry analysis is related to-
  - a) **The conduct of the market assessment of a particular industry**
  - b) The monitoring of an organization's internal and external environments
  - c) The assessment of whether some idea will work or not in a particular Industry
  - d) The Brainstorming of Industry opportunities
2. Business Planning is a-
  - a) Continuous process of planning for a building a new venture
  - b) Continuous process of planning for Managing and Growing the ongoing Business ventures
  - c) Continuous process of planning for dealing with crises and worst-case scenarios
  - d) **All of the above**
3. A new-venture team is-
  - a) The group of founders that move a new venture from an idea to a fully functioning firm
  - b) The key employees that move a new venture from an idea to a fully functioning firm
  - c) The advisers that move a new venture from an idea to a fully functioning firm
  - d) **All of the above**
4. Project Report is a-
  - a) Document which provides details on the overall picture of the proposed business
  - b) written document relating to any investment.
  - c) Report about new venture project proposal
  - d) **All of the above**
5. Entrepreneurial marketing includes-
  - a) Innovation
  - b) Risk taking
  - c) And being proactive
  - d) **All of the above**
6. Which of the following is related to the Traditional Business Planning approach?
  - a) Selection of business activity
  - b) Making Right Choice of Legal form of business organization
  - c) Plan of action for Financing of new venture
  - d) **All of the above**
7. The 'G' in the acronym PESTLGN refers to-
  - a) Government
  - b) Global
  - c) Geographical
  - d) **All of the above**
8. Which of the following is a source of New Venture Financing?
  - a) Equity Financing including Angel Investors and Venture Capitalist/Private Equity
  - b) Debt Financing in the form of Loan from Banks & NBFCs,
  - c) External Commercial Borrowings
  - d) **All of the above**



## BHARTIYA SKILL DEVELOPMENT UNIVERSITY

9. The lean business planning method is about-
- Taking small steps
  - Consistent tracking
  - And frequent course corrections
  - All of the above**
10. According to Eric Rise, Entrepreneurship is all about-
- Pursuit of opportunity beyond resources controlled
  - Exploring and creating new ways of economic activities
  - A driver of economic growth
  - None of the above**

### Section - B

**Answer following short answer type questions, each question carries 04 marks.**

**Q-1 Explain the relationship between creativity, Innovation & Entrepreneurship**

**Answer- Creativity-** Creativity is one of the aspects of intelligence and is one of the most important features of the human mind. Creativity is regarded as the Capacity or ability of any person, that helps in the -

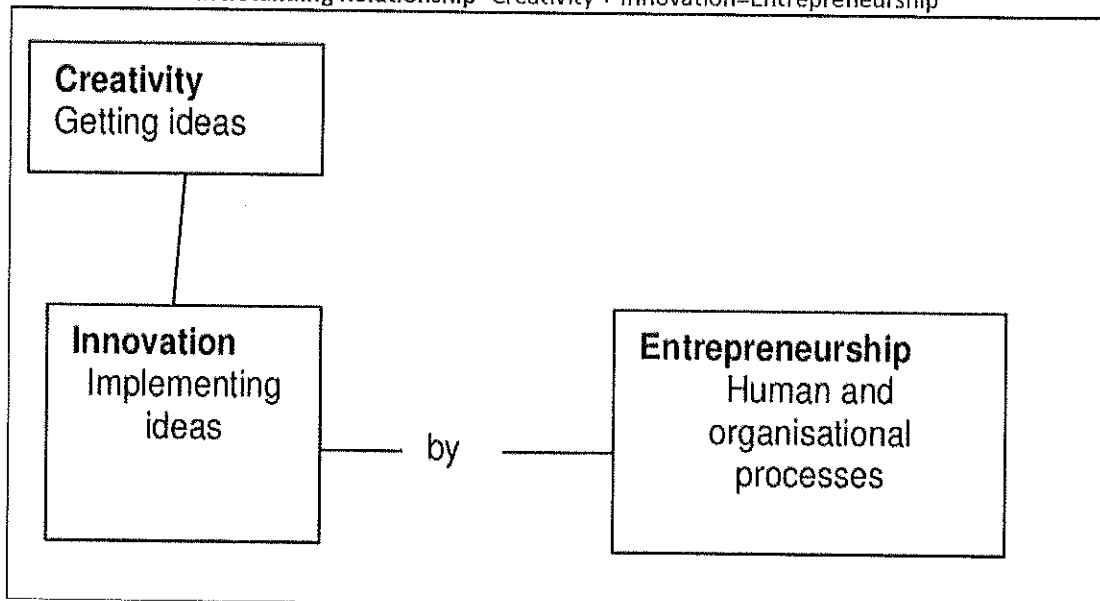
- Creation of an innovative concept, design or product.
- Creation of innovative ideas or objects.
- Act of turning new & imaginative ideas into Reality
- Reshaping of what already exist or re-arrangement of parts or elements or dimensions of something to create or build something different of value having Socioeconomic impact

**According to Guilford,** "Creativity involves divergent thinking with respect to the traits of fluency, flexibility and originality of thought process." It means that creativity involves the thinking process in various forms with the originality and flexibility in the thought process.

**Innovation-** Innovation is defined as "Executing an idea which addresses a specific challenge and achieves value for both the company and customer". The Term Innovation refers to the following ideas-

- Turning an idea into a solution that adds value from a customer's perspective
- The application of ideas that are novel and useful. Creativity, the ability to generate novel and useful ideas, is the seed of innovation but unless it's applied and scaled it's still just an idea.
- Creativity is thinking of something new. Innovation is the implementation of something new.
- Innovation is something fresh (new, original, or improved) that creates value.
- "Innovation is change that creates a new dimension of performance."

**Understanding Relationship- Creativity + Innovation=Entrepreneurship**

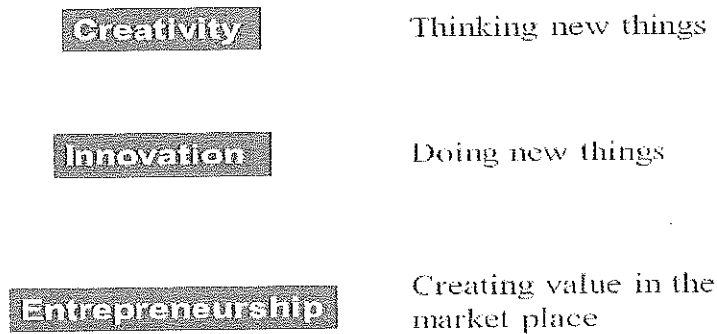




## BHARTIYA SKILL DEVELOPMENT UNIVERSITY

Further, The Relationship between creativity, Innovation & Entrepreneurship can also be explained as under-

Creativity, Innovation and Entrepreneurship

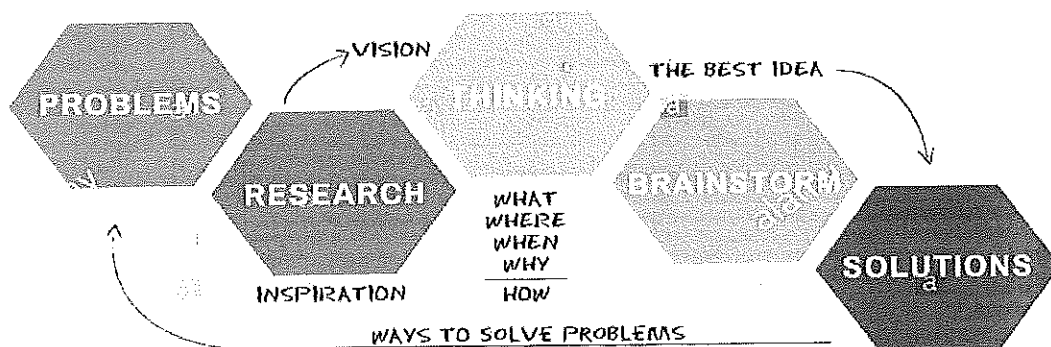


**Q-2 Briefly illustrate the Creative process for Creative problem solving.**

**Answer-** Creative Process refers to the step by step sequence of actions to think and design something new, solve problems in new and different ways and to give shape to an abstract idea in the mind based on an original, new or unconventional approach. Further, this process has also been defined as a mental process involving the generation of new ideas or concepts, or new associations between existing ideas or concepts. One more definition describe the Creativity as an imaginative process of generating alternatives for creative problem solving.

**Creative Problem Solving-** Creative problem-solving is less structured than other innovation processes and encourages exploring open-ended solutions using the creative process as under-

# CREATIVE PROCESS



Creative problem solving is a way of using your creativity to develop new ideas and solutions to problems. The process is based on separating divergent and convergent thinking in order to focus the creative mind on creating at the first stage, and then evaluating at the second stage.

Creative problem solving is a way of solving problems or identifying opportunities using the creative process when conventional thinking has failed. It encourages you to find fresh perspectives and come up with innovative solutions, so that you can formulate a plan to overcome obstacles and reach your goals.

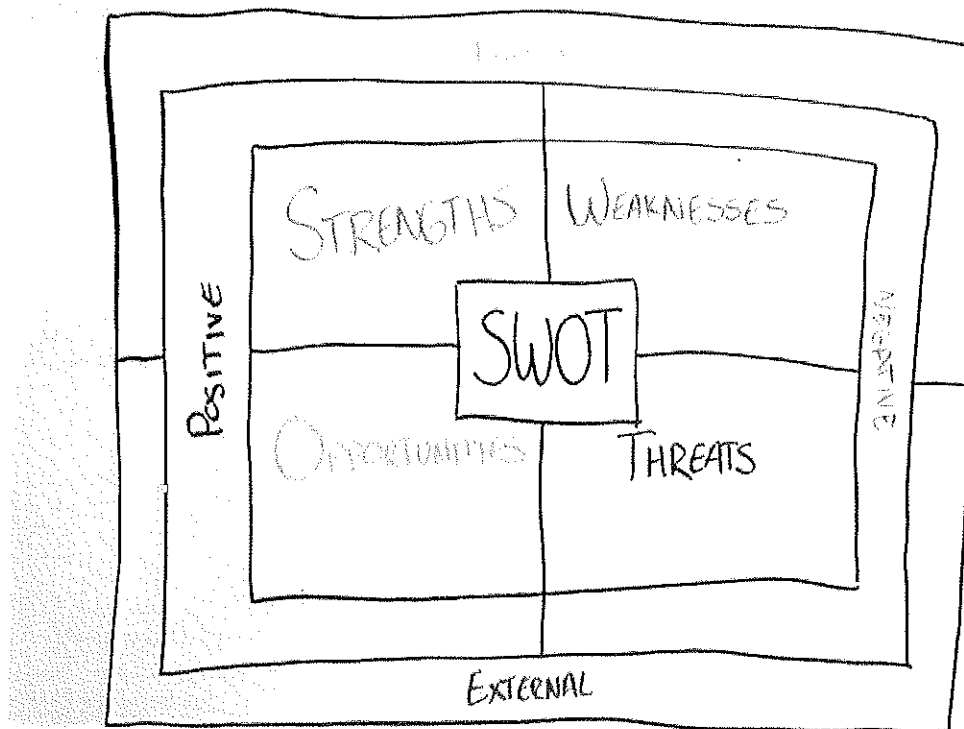


## BHARTIYA SKILL DEVELOPMENT UNIVERSITY

### Q-3 What do you mean by SWOT analysis & Johari Window analysis?

**Answer- SWOT ANALYSIS-** SWOT analysis is an important tool for Self-Discovery and Assessment. SWOT is an acronym that stands for: Strength, Weakness, Opportunity, Threat. These are considered as the elements of SWOT analysis-

1. Strengths describe what an organization excels at and separates it from the competition: a strong brand, loyal customer base, a strong balance sheet, unique technology and so on. For example, a hedge fund may have developed a proprietary trading strategy that returns market-beating results. It must then decide how to use those results to attract new investors.
2. Weaknesses stop an organization from performing at its optimum level. They are areas where the business needs to improve to remain competitive: higher-than-industry-average turnover, high levels of debt, an inadequate supply chain or lack of capital.
3. Opportunities refer to favorable external factors that an organization can use to give it a competitive advantage. For example, a car manufacturer can export its cars into a new market, increasing sales and market share, if a country cuts tariffs.
4. Threats refer to factors that have the potential to harm an organization. For example, a drought is a threat to a wheat-producing company, as it may destroy or reduce the crop yield. Other common threats include things like rising costs for inputs, increasing competition, tight labour supply and so on.



**Johari Window Model Analysis-** Johari Window Model is another tool for Self-Discovery & Assessment- A Johari window is a psychological tool created by Joseph Luft and Harry Ingham in 1955. It's a simple and useful tool for understanding and training self-awareness, personal development, improving communications and interpersonal relationships. Johari Window is a technique for improving self-awareness within an individual. It helps in understanding your relationship with yourself and others.

Johari Window is a method used for self-discovery. Johari window model is based upon two things – to acquire the trust of others by revealing your information to them and by learning about yourself through feedback by others.



### Johari Window Model

	Known to self	Not known to self
Known to others	<b>Open area</b>	<b>Blind spot</b>
Not known to others	<b>Hidden area</b>	<b>Unknown</b>

The Johari window model is used to enhance the individual's perception on others. Each person is represented by the Johari model through four quadrants or window pane.

Each four window panes signifies personal information, feelings, motivation and whether that information is known or unknown to oneself or others in four viewpoints.

1. **Open/self-area**– Here the information about the person his attitudes, behavior, emotions, feelings, skills and views will be known by the person as well as by others.
2. **Blind self**– Information about yourselves that others know in a group but you will be unaware of it. Others may interpret yourselves differently than you expect.
3. **Hidden area**– Information that is known to you but will be kept unknown from others. This can be any personal information which you feel reluctant to reveal.
4. **Unknown area**– The Information which are unaware to yourselves as well as others. This includes the information, feelings, capabilities, talents etc. This can be due to traumatic past experiences or events which can be unknown for a lifetime.

#### Q-4 Write about the knowledge and skills required to be a good entrepreneur.

**Answer-** Entrepreneurship is both an art and science of converting business ideas into marketable products or services to improve the quality of living.

It refers to the process of innovating new products or services and streamline the resources required to commercialize these products or services.

Entrepreneurship refers to- "All actions executed by the entrepreneur to establish an enterprise" **According to Robert D. Hisrich, Peters and Shepherd,** "Entrepreneurship is the process of creating something new with value by devoting the necessary time and effort, assuming the accompanying financial, psychic, and social risks, and receiving the resulting rewards of monetary and personal satisfaction and independence."

Entrepreneur is a person who innovate and build a new business around the innovation by organizing resources to fulfill the needs of the target market and in return receiving the resulting rewards of monetary and personal satisfaction and independence. To Sum up, we can say that an entrepreneur may be termed as an innovator. As an innovator, the entrepreneur introduces new products in the market; Finds out new markets for existing products; Introduces new production technology & Launches new marketing strategy and so on.

Thus, an entrepreneur refers to a person-

- 1) Who visualizes a business opportunity,
- 2) Takes steps to promote a new enterprise,



## BHARTIYA SKILL DEVELOPMENT UNIVERSITY

- Assembles resources (7M) to make the business venture successful and
- 4) Bears the risk and uncertainties involved.
  - 5) Knowledge & Skills requirements for an Entrepreneur

### 1. Knowledge Requirement:

Basic knowledge and understanding of the Business world, Market, Industry & Economic system  
Conceptual and Technical knowledge about Business processes, operations, and Management aspects.

Entrepreneurial/Venture-Specific Knowledge: Do you know what you need to do to make this type of business successful? And do you understand the specifics of the business that you want to start? (This is where it's often useful to work for a short time in a similar business).

### 2. Skills Requirement:

- 1) Entrepreneurial Mindset and Competencies
- 2) Technical/Conceptual Skills
- 3) Human/Interpersonal Skills
- 4) Critical and creative thinking skills
- 5) Practical Business & Management Skills

### Section - C

Answer following essay type questions, each question carries 06 marks.

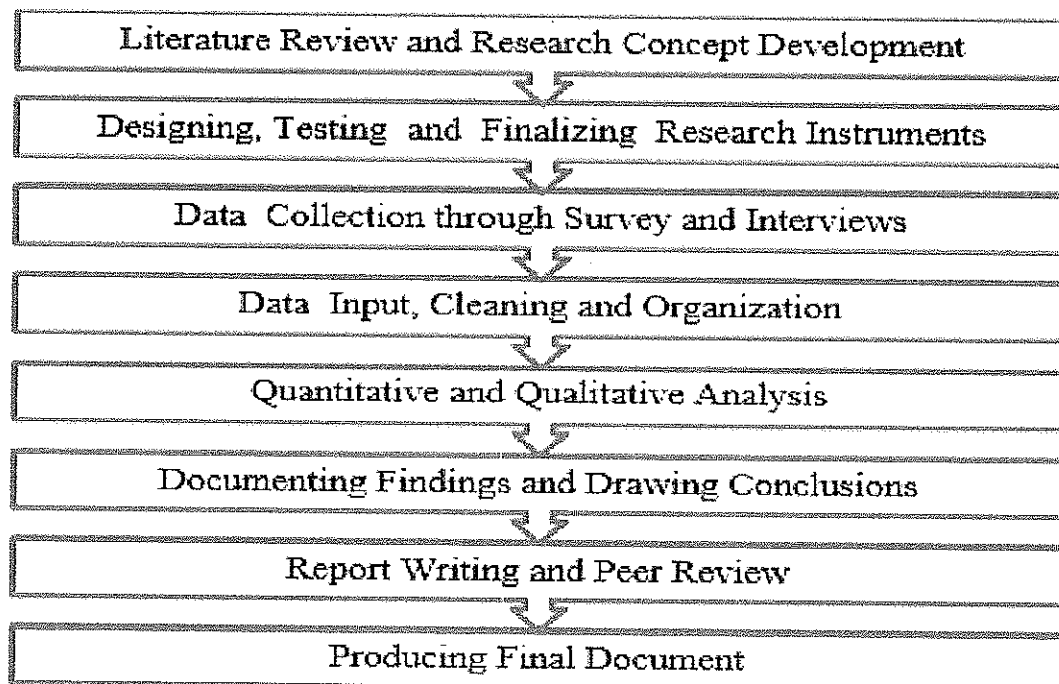
**Q-1 What is the role of Research & Survey in Entrepreneurship?**

**Answer-** An Overview of the Role of Research & Market Survey-Research is defined as the creation of new knowledge and/or the use of existing knowledge in a new and creative way so as to generate new concepts, methodologies and understandings. This is a careful consideration of study regarding a particular concern or problem using scientific methods.

Market research is an information-gathering tool for business (and potential business) owners to gain knowledge about how well their product will do in the current market, what the demand is, and how consumers will react to their product.

Market survey is a Research tool to directly collect feedback from the target audience to understand their characteristics, expectations, and requirements. Data gathered using market surveys is instrumental in making well-informed business decisions.

The Research process followed by Entrepreneurs more or less relates to the following-





An Entrepreneur or any potential entrepreneurs start off as an idea in the mind and turning these ideas into viable business propositions is the undoubted challenge for them. And here comes the role of Market Research and surveys to address their concern at different stages of their entrepreneurial journey right from exploring and assessing the new business ideas to opportunity recognition to the conception of viable business propositions and further planning, organizing & building a new business, running and managing the day to day affairs of the new venture and taking the business to the next level, scaling up, developing and growing. This all requires the relevant data/information/knowledge to make the well informed decisions throughout the entrepreneurial journey to be successful or bounce back from the situations of failure.

### **Why is market research important for new business ideas?**

A new or existing entrepreneur conduct regular market research to understand their target market, identify consumer problems and pinpoint realistic competitors. It's the simplest way for entrepreneurs to keep up with market trends and maintain a competitive edge by sizing up your business opportunity. Market research can be carried out at various stages of a business life cycle, from pre-launch and beyond. Having a greater understanding of your marketplace from the very start will enable you to create a sound business strategy to establish and grow your brand into one that's better than the competition.

### **Primary market research covers the following:**

- Monitoring the effectiveness of sales
- Ascertaining the quality of services provided by competitors
- Understanding the channels of communication used by competitors
- Assess the active competition within the market

### **Secondary market research covers the following:**

- Published company reports data
- Existing surveys and studies
- Newspaper reports
- Government data

**Primary market research** is a kind of market research that can be carried out individually or as a business, with the aim of collecting unique data that can be used to improve products, services and overall functionality.

**Secondary market research** is a different type of market research as it relies on information that's already available from a variety of sources.

### **Q-2 Briefly discuss about GST laws related to an entrepreneur**

**Answer-** The knowledge of business Laws and GST laws for an entrepreneur is very much essential now a day. Planning to form a company (proprietor, private limited or limited) or already in business, every entrepreneur is liable to follow these basic Indian government's legal laws to function their business in the country.

Usually, most of the startup businessmen and entrepreneurs approach a legal business consultant to understand documentation required for forming a legal business entity, granting PAN number,



## BHARTIYA SKILL DEVELOPMENT UNIVERSITY

GST and opening a current account and other rules and guidelines to start functioning. Startup in India is like the face of a new innovative idea under practical application and expression of an idea that is implemented to be worked on. A startup is an entrepreneurial business which is eager to catch the market pace and walk with matching the footsteps for other business to exist in the market for a long time and secure a position. Following are the important aspects of the prevalent Business Laws and new paradigm of GST for Entrepreneurs.

- Formalizing a Business Structure, Choosing the appropriate Legal forms of business organizations and getting registered your business name with the concerned authority (like approaching ROC for getting a new business registered in the form of a private company under the Indian Companies Act, 2013)
- Intellectual Property laws- If you are merchandising or creating a logo and designs for your company; you should get your copyright, patent or trademark as soon as possible for the same. This will provide you with an assured of no misuse by others and you can claim royalties if in case your designs are used by others for profits.

Understanding Taxation and Accounting Laws- There are a broad variety of taxes, such as, Central tax, state tax and even local taxes that may be applicable for certain businesses. For billing and taxation, every business owner required to be registered under the GST act

### Q-3 What are the different options of Legal forms of business organizations for starting a new venture? Explain any two options in detail.

**Answer- Legal forms of business organizations:** Various forms of business organization from which one can choose the right one to structure the proposed business include Sole Proprietorship firm, Partnership firm, Joint Hindu Family Business (HUF), Cooperative firm and Company form of business organization such as Private Limited Company, (Public) Limited Company, One Man Company and the Limited Liability Company (LLC).

**Sole Proprietorship:** A business owned, managed and controlled by a single individual is known as a sole proprietorship organization. All the businesses you see around you, your local grocer, the chemist, the doctor are all probably sole proprietors.

**Features:** Easy Formation and closure due to Lack of Legal Formalities; The liability of the owner is unlimited because of no separation between the owner and the business; Sole risk bearer and profit recipient; Complete Control of the proprietor; No separate legal entity; Lack of business continuity and just in case of the death, retirement, bankruptcy, insanity, imprisonment etc of the proprietor, the firm will cease to exist and the business will come to an end.

**Joint Hindu Family Business:** The Joint Hindu Family Business or the Hindu Undivided Family (HUF) is a unique type of business entity. It is governed and dictated by the Hindu Law in India.

Any person born into the family (boy or girl) up to the next coming three generations is a part of the HUF. These members are the coparceners. The head of such a Joint Family Business is the eldest member of the family, the "Karta". He is the main person responsible for the business and the finances.

**Formation:** To begin a Hindu Undivided Family there must be a minimum of two related family members. There must be some assets, business or ancestral property that they have inherited or will eventually inherit. The formation of a HUF does not require any documentation and admission of new members is by birth.

**Liability:** The liability of all the various coparceners is only up to their share of the property or business. So they have limited liability. But the Karta being the head of the HUF has unlimited liability.



## BHARTIYA SKILL DEVELOPMENT UNIVERSITY

**Control:** The entire control of the entity lies with the Karta. He may choose to confer with the coparceners about various decisions, but his decision can be independent. His actions will be final and also legally binding.

**Continuity:** The HUF can be continued perpetually. At the death of the Karta, the next eldest member will become the Karta. However, keep in mind a Hindu Undivided Family can be dissolved if all members mutually agree.

**Partnership Firm-** According to the Indian Partnership Act 1932 Partnership is defined as, "the relation between two or more persons who have agreed to share the profits from a business carried on by either all of them or any of them on behalf of/acting for all".

So in such a case two or more (maximum numbers will differ according to the business being carried) persons come together as a unit to achieve some common objective. The entity is collectively called a "Partnership Firm" and all the individual members are the "Partners". So let us look at some important features.

**Formation/Contract:** A partnership firm is not a separate legal entity. But according to the act, a firm must be formed via a legal agreement between all the partners. So a contract must be entered into to form a partnership firm.

**Unlimited Liability:** All partners have unlimited liability in the business. The partners are all individually and jointly liable for the firm and the payment of all debts.

**Mutual Agency:** In a partnership, the business must be carried out by all the partners together. Or alternatively, it can be carried out by any of the partners (one or several) acting for all of them or on behalf of all of them. So this means every partner is an agent as well as the principal of the partnership.

### **Q-4 Discuss the major challenges faced by an entrepreneur in starting, Managing & Growing a new venture.**

**Answer-** Challenges in Managing and growing an enterprise: Following are the Biggest Challenges for New Entrepreneurs:

**Financing:** As a new entrepreneur, you'll be starting from scratch, which means you'll need to start networking like crazy and thinking through all your possible funding options before landing on one.

**Team Building:** Picking the right team for a startup is stressful and difficult. It's not enough to find candidates who fill certain roles – you also need to consider their cost to the business, their culture fit and how they'll work as part of your overall team.

**Being the visionary:** As a new entrepreneur is expected to come up with the ideas. When a competitor emerges, it will be your responsibility to come up with a response plan. When your team hits an impenetrable obstacle, your job will be to come up with an alternative plan to move forward. This demands on-the-spot creative thinking.

**Dealing with the unknown:** How long will your business exist? How profitable will your business be? Will customers like your product? None of these questions has a solid, reliable answer, even in startups based on great ideas. Dealing with this volatility is one of the hardest parts of emerging as a new entrepreneur.



## BHARTIYA SKILL DEVELOPMENT UNIVERSITY

**Decision-making:** Believe it or not, this is probably the most stressful challenge in managing and growing your startup enterprise. As a new entrepreneur, you are forced to make hundreds of decisions a day, from big, company-impacting decisions, to tiny, hour-affecting ones. Decision fatigue is a real challenge, and most new entrepreneurs will experience it if they aren't prepared for the new level of stress.

**Managerial Challenges:** Related to Day-to-day planning and organizing to operate the business. One of the major managerial challenge usually faced by an entrepreneur relates to the Delegation of Tasks. The successful delegation comprises of building the right process apart from providing the resources and authority required for its enactment. However, finding the right resources and choosing the delegation drive can be a very complicated task.

Challenges to entrepreneurs pertaining to delegation of tasks can be overcome by being ultra-specific. In spite of being time-consuming, entrepreneurs are bound to benefit out of the efficiency as they write down the detailed steps along with the individual responsibilities of work personnel. Another major managerial challenge usually faced by an entrepreneur relates to the **Time Management:** This is the biggest challenge faced by multi-tasking entrepreneurs who often fall short of time while accomplishing their objective. The problem regarding time management can be solved by creating a goal list broken down into annual, monthly and even weekly objectives. Tasks which do not sync with your goals need to be eliminated while the ones which do not require the interference of the entrepreneur can be delegated.



Registration No.: .....

**BHARTIYA SKILL DEVELOPMENT UNIVERSITY**  
School of General Education

Session: 2021-22 (Winter Semester)

B. Voc. Program, 3rd Semester,

End-Sem Examination

Course Code: GEN 1304

Time: 2 Hours

Course Name: Personality Development

Max. Marks: 50

Section – A

10X01 = 10 Marks

Q1. Match 'T' in the acronym SWOT with the correct option.

- |               |                |
|---------------|----------------|
| a) Time       | c) Threat      |
| b) Transition | d) Transaction |

Q2. .... is the act or process of planning and exercising conscious control over the amount of time spent on specific activities, especially to increase effectiveness, efficiency or productivity.

- |                    |                      |
|--------------------|----------------------|
| a) Self Confidence | c) Stress Management |
| b) SWOT Analysis   | d) Time management   |

Q3. Time is a special resource that you cannot store or save for later use.

- |         |          |
|---------|----------|
| a) True | b) False |
|---------|----------|

Q4. Motivation is derived from the Latin word "movere"

- |           |           |
|-----------|-----------|
| a) Move   | c) Mover  |
| b) Energy | d) Movere |

Q5. A goal properly set is halfway reached.

- |         |          |
|---------|----------|
| a) True | b) False |
|---------|----------|

Q6. Stress is a physical, mental or emotional factor that causes .....in the mind or body.

- |            |                |
|------------|----------------|
| a) Time    | c) Threat      |
| b) Tension | d) Transaction |

Q7. An attitude is a negative or positive evaluation of an..... which influences a human's behavior towards that object.

- |            |                     |
|------------|---------------------|
| a) Object  | c) Factor           |
| b) Subject | d) All of the above |

Q8. Match 'M' in the term SMART with the correct option.

- |               |               |
|---------------|---------------|
| a) Measurable | c) Manageable |
| b) Magical    | d) Meaningful |

Q9. A neutral attitude occurs because a person either hasn't made up their ....., or may not know a situation where they've needed to use an attitude.

- |           |              |
|-----------|--------------|
| a) Brain  | c) Situation |
| b) Health | d) Mind      |

Q10. ....components are the set of information, facts, ideas and knowledge about an object.

- |              |             |
|--------------|-------------|
| a) Cognitive | c) Behavior |
| b) Affective | d) Attitude |

**Section B**

04X04=16 Marks

Q11. What Is Extrinsic Motivation?

Q12. What are the Signs of Stress?

Q13. Explained the "Lateral Thinking Techniques"

Q14. What is the success of individuals with high self-esteem?

**Section C**

04X06=24 Marks

Q15. Make Personal SWOT Analysis of yourself.

Q16. Write a note on "Techniques for Effective Time Management"

Q17. Write a note on "8 Strategies for Setting Attainable Goals".

Q18. Explain Techniques to manage Stress.

\*\*\*



Registration No.: .....

**BHARTIYA SKILL DEVELOPMENT UNIVERSITY**  
School of General Education

Session: 2021-22 (Winter Semester)

B. Voc. Program, 3rd Semester,

End-Sem Examination

Course Code: GEN 1304

Time: 2 Hour

Course Name: Personality Development

Max. Marks: 50

Section – A SET A

10X01 = 10 Marks

Q1. Match 'T' in the acronym SWOT with the correct option.

- a) Time
- b) Transition
- c) **Threat**
- d) Transaction

Q2. .... is the act or process of planning and exercising conscious control over the amount of time spent on specific activities, especially to increase effectiveness, efficiency or productivity.

- a) Self Confidence
- b) SWOT Analysis
- c) Stress Management
- d) **Time management**

Q3. Time is a special resource that you cannot store or save for later use.

- a) **True**
- b) False

Q4. Motivation is derived from the Latin word "movere"

- a) Move
- b) Energy
- c) Mover
- d) **Movere**

Q5. A goal properly set is halfway reached.

- a) **True**
- b) False

Q6. Stress is a physical, mental or emotional factor that causes .....in the mind or body.

- A. Time
- B. **Tension**
- C. Threat
- D. Transaction

Q7. An attitude is a negative or positive evaluation of an..... which influences a human's behavior towards that object.

- A. Object
- B. Subject
- C. Factor
- D. All of the above

Q8. Match 'M' in the term SMART with the correct option.

- A. Measurable
- B. Magical
- C. Manageable
- D. Meaningful

Q9. A neutral attitude occurs because a person either hasn't made up their ....., or may not know a situation where they've needed to use an attitude.

- A. Brain
- B. Health
- C. Situation
- D. Mind

Q10. ....components are the set of information, facts, ideas and knowledge about an object.

- A. Cognitive
- B. Affective
- C. Behavior
- D. Attitude

## Section B

04X04=16 Marks

Q11. What Is Extrinsic Motivation?

**Answer:** Extrinsic motivation occurs when we are motivated to perform a behaviour or engage in an activity to earn a reward or avoid punishment. Examples of behaviors that are the result of extrinsic motivation include:

- Studying because you want to get a good grade
- Cleaning your room to avoid being reprimanded by your parents
- Participating in a sport to win awards
- Competing in a contest to win a scholarship

In each of these examples, the behavior is motivated by a desire to gain a reward or avoid an adverse outcome. People are engaging in a behavior not because they enjoy it or because they find it satisfying, but in order to get something in return or avoid something unpleasant.

Q12. What are the Signs of Stress ?

**Answer:**

- Nervous Habits
- Sleep Difficulties
- Loss of Appetite
- Poor Concentration

- Frequent crying
- Nail biting
- Anger/Tantrums
- Violent/Anti Social Behavior
- Emotional Outbursts
- Alcohol/Drug Abuse

Q13. Explained the “Lateral Thinking Techniques”

**Answer:**

Alternatives: Use concepts to breed new ideas

Focus: Sharpen or change your focus to improve your creative efforts

Challenge: Break free from the limits of accepted ways of doing things

Random Entry: Use unconnected input to open new lines of thinking

Provocation and Movement: Move from a provocative statement to useful

Harvesting: Select the best ideas and shape them into practical solutions

Treatment of Ideas: Strengthen and shape ideas to fit an organization or situation

Q14. What is the success of individuals with high self-esteem ?

**Answer:**

1. A greater sense of self-worth.
2. Greater enjoyment in life and in activities
3. Freedom from self-doubt
4. Freedom from fear and anxiety, freedom from social anxiety, and less stress
5. More energy and motivation to act
6. Have a more enjoyable time interacting with other people at social gatherings. When you are relaxed and confident others will feel at ease around you.

### Section C

04X06=24 Marks

Q15. Make Personal SWOT Analysis of yourself.

Answer: It is an individual

Q16. Write a note on “Techniques for Effective Time Management”

Answer:

1. Plan Each Day:
2. Prioritize Your Tasks:
3. Say No To Non Essential Tasks:
4. Delegate:
5. Take The Time You Need To Do A Quality Job:
6. Break Large, Time-Consuming Tasks Into Smaller Tasks:
7. Practice The 10-Minute Rule:
8. Evaluate How You're Spending Your Time:
9. Limit Distractions:

10. Get Plenty Of Sleep, Eat A Healthy Diet And Exercise Regularly;
11. Take a Break When Needed.

Q17. Write a note on “8 Strategies for Setting Attainable Goals”.

**Answer:**

1. Identify what you really want to accomplish.
2. Study the background and qualifications of your goal
3. Ask if you fit the criteria.
4. Build and maintain relationships with the people who can help you.
5. Set the bar where it needs to be.
6. Make (and take!) the steps.
7. Craft a contingency plan.
8. Benchmark.

Q18. Explain Techniques to manage Stress.

**Answer:**

- Proper Rest
- Eat Healthy
- Laughing
- Yoga
- Meditation

\*\*\*



Registration No.: .....

**BHARTIYA SKILL DEVELOPMENT UNIVERSITY**  
**School of General Education**

**Session: 2021-22 (Winter Semester)**

**B. Voc. Program, 3rd Semester,**

**End-Sem Examination**

**Course Code: GEN 1304**

**Time: 2 Hours**

**Course Name: Personality Development**

**Max. Marks: 50**

**Section – A**

10X01 = 10 Marks

Q1. Match 'T' in the acronym SWOT with the correct option.

- |               |                |
|---------------|----------------|
| a) Time       | c) Threat      |
| b) Transition | d) Transaction |

Q2. .... is the act or process of planning and exercising conscious control over the amount of time spent on specific activities, especially to increase effectiveness, efficiency or productivity.

- |                    |                      |
|--------------------|----------------------|
| a) Self Confidence | c) Stress Management |
| b) SWOT Analysis   | d) Time management   |

Q3. Time is a special resource that you cannot store or save for later use.

- |         |          |
|---------|----------|
| a) True | b) False |
|---------|----------|

Q4. Motivation is derived from the Latin word "movere"

- |           |           |
|-----------|-----------|
| a) Move   | c) Mover  |
| b) Energy | d) Movere |

Q5. A goal properly set is halfway reached.

- |         |          |
|---------|----------|
| a) True | b) False |
|---------|----------|

Q6. Stress is a physical, mental or emotional factor that causes .....in the mind or body.

- |            |                |
|------------|----------------|
| a) Time    | c) Threat      |
| b) Tension | d) Transaction |

Q7. An attitude is a negative or positive evaluation of an..... which influences a human's behavior towards that object.

- |            |                     |
|------------|---------------------|
| a) Object  | c) Factor           |
| b) Subject | d) All of the above |

Q8. Match 'M' in the term SMART with the correct option.

- |               |               |
|---------------|---------------|
| a) Measurable | c) Manageable |
| b) Magical    | d) Meaningful |

Q9. A neutral attitude occurs because a person either hasn't made up their ....., or may not know a situation where they've needed to use an attitude.

- |           |              |
|-----------|--------------|
| a) Brain  | c) Situation |
| b) Health | d) Mind      |

Q10. ....components are the set of information, facts, ideas and knowledge about an object.

- a) Cognitive
- b) Affective
- c) Behavior
- d) Attitude

**Section B**

04X04=16 Marks

Q11. What Is Extrinsic Motivation?

Q12. What are the Signs of Stress?

Q13. Explained the "Lateral Thinking Techniques"

Q14. What is the success of individuals with high self-esteem?

**Section C**

01X06=24 Marks

Q15. Make Personal SWOT Analysis of yourself.

Q16. Write a note on "Techniques for Effective Time Management"

Q17. Write a note on "8 Strategies for Setting Attainable Goals".

Q18. Explain Techniques to manage Stress.

---

\*\*\*





**Section B**

04X04=16 Marks

- Q11. What are the "Causes of Stress"
- Q12. Write the advantages of SWOT analysis.
- Q13. What Is Intrinsic Motivation?
- Q14. Why Time Management Is Important?

**Section C**

04X06=24 Marks

- Q15. Explain the positive attitude along with a list of positive attitudes.
- Q16. Explain any 6 Time Saver Techniques.
- Q17. Explain the characteristics of Attitude.
- Q18. What are SMART Goals? Explain each one in detail.

\*\*\*





Registration No.: .....

**BHARTIYA SKILL DEVELOPMENT UNIVERSITY**  
School of General Education

Session: 2021-22 (Winter Semester)

B. Voc. Program, 3rd Semester,

End-Sem Examination

Course Code: GEN 1304 SET B

Time: 2 Hour

Course Name: Personality Development

Max. Marks: 50

**Section – A**

10X01 = 10 Marks

Q1. Stress is a physical, mental or emotional factor that causes .....in the mind or body.

- A. Time
- B. Tension**
- C. Threat
- D. Transaction

Q2. Match 'T' in the acronym SWOT with the correct option.

- A. Time
- B. Transition
- C. Threat**
- D. Transaction

Q3. Goals give you direction and keep you focused on where you want to end up.

- A. True**
- B. False

Q4. SWOT helps you focus on your strengths, minimize your weaknesses, and take the greatest possible advantage of opportunities available to you.

- A. True**
- B. False

Q5. Remember Time is .....

- A. Goal
- B. Deadline
- C. Lifeline
- D. Money**

Q6. Match 'T' in the term SMART with the correct option.

- A. Timebound**
- B. Transaction
- C. Time
- D. Transition

Q7. SWOT helps you focus on your strengths, minimize your weaknesses, and take the greatest possible advantage of opportunities available to you.

- a) **True**
- b) False

Q8. Goal of .....to restore balance and harmony in the body and emotions through numerous postural and breathing exercises.

- A. Proper Rest
- B. Eat Healthy
- C. Laughing
- D. Yoga**

Q9. Types of attitude are.....

- A. Positive, Negative, Neutral, Skin
- B. Positive, Negative, Neutral, Skinn**
- C. Both
- D. None of the above

Q10. Remember Time is .....

- A. Goal
- B. Deadline
- C. Lifeline
- D. Money**

### Section B

04X04=16 Marks

Q11. What are the "Causes of Stress"

Answer:

- Being Fired
- Competing
- Family problems
- New Job
- Noisy Environment
- Relationship problems
- Poverty
- Difficulties at workplace

Q12. Write the advantages of SWOT analysis.

Answer: Identify and enhance your skills, talents and abilities

- Have a road map towards your goal
- Capitalize on your strengths
- Manage your weaknesses
- Take advantage of opportunities
- Minimize or eliminate impact of threats
- Use information to plan your career success

- Grab the golden opportunity of desired career

Q13. What Is Intrinsic Motivation?

**Answer:** Intrinsic motivation involves engaging in a behavior because it is personally rewarding; essentially, performing an activity for its own sake rather than the desire for some external reward.

Examples of actions that are the result of intrinsic motivation include:

- Participating in a sport because you find the activity enjoyable
- Solving a word puzzle because you find the challenge fun and exciting
- Playing a game because you find it exciting

In each of these instances, the person's behavior is motivated by an internal desire to participate in an activity for its own sake.

Essentially, the behavior itself is its own reward.

Q14 . Why Time Management Is Important?

**Answer:**

1. Bad time management = stress
2. Time is a special resource that you cannot store or save for later use.
3. Wise time management can help you find the time for what you desire to do or need to do.
4. Time management will help you set up your priorities.
5. Time management helps you make conscious choices, so you can spend more of your time doing things that are important and valuable to you.
6. To avoid damage to our personal life.
7. It keeps you healthy and stress free.

### Section C

04X06=24 Marks

Q15. Explain the positive attitude along with a list of positive attitudes.

**Answer:** A positive attitude is the guide to leading a positive life. If you're feeling down and having a particularly negative outlook on the way things are going. Just remember that attitude is everything and a positive attitude will lead you out of the darkest of times

- Confidence
- Happiness
- Sincerity

Q16. Explain any 6 Time Saver Techniques.

**Answer:** any 6 techniques out of 50.

Q17. Explain the characteristics of Attitude.

**Answer:**

- Attitude has an object
- Attitude are learnt
- Attitude are predisposition
- Attitude are relatively stable phenomena
- Attitude Influence by human behavior

Q.18 What are SMART Goals? Explain each one in detail.

**Answer:**

S = Specific

M=Measurable

A = Achievable

R = Relevant

T = Time-Bound

\*\*\*



# BHARTIYA SKILL DEVELOPMENT UNIVERSITY

SET-A

Registration No.:.....

**School of General Education**  
**Session: 2021-22 (Winter Semester)**  
**B. Voc. Program, III Semester,**  
**End-Sem. Examination**

**Course Code: GEN1305**

**Time: 2 Hour**

**Course Name: Elementary Drawing Skills**

**Max. Marks: 50**

**Instructions:**

1. Attempt all questions.
2. Section A contains 10 Questions. Each question carries 1 Mark.
3. Section B contains 04 Questions. Each question carries 4 Marks.
4. Section C contains 04 Questions. Each question carries 6 Marks.

**Section – A**

10X01 = 10 Marks

1. AutoCAD was developed by
  - a) Autodesk Inc.
  - b) Apple Inc.
  - c) Microsoft Inc.
  - d) None of the above
2. Which of the following is the extension for AutoCAD drawing file?
  - a) DWG
  - b) ACTD
  - c) ACD
  - d) None of the above
3. What proportion of scale we use to draw a center line?
  - a) 6:2
  - b) 6:1
  - c) 6:3
  - d) 6:4
4. Which plane we need to show the cut section of any geometry?
  - a) Side plane.
  - b) Front plane.
  - c) Cutting plane.
  - d) None of the above
5. Distance from the observer to the object is finite and the object is viewed from single point, is a characteristic of which view?
  - a) parallel view
  - b) prospective view
  - c) both (a) and (b)
  - d) none of the above



## BHARTIYA SKILL DEVELOPMENT UNIVERSITY

6. What is the shortcut key to create a 2D polyline?
  - a) PL
  - b) L
  - c) PE
  - d) None of the above
7. Which of the following measuring instrument can measure internal diameter?
  - a) Height gauge
  - b) micrometer
  - c) Hole test micro meter
  - d) bevel
8. Standard size of drawing sheet as per BIS for A3 sheet?
  - a) 841mm X 1189mm
  - b) 549mm X 841mm
  - c) 420mm X 594mm
  - d) 297mm X 420mm
9. Which of the following workspaces are available in AutoCAD?
  - a) 3D basics
  - b) 3D modelling
  - c) Drafting and Annotation
  - d) All of the above
10. What does CAD stand for?
  - a) Computer aided design
  - b) Computer aided drawing
  - c) Computer aided drafting
  - d) None of the above

### Section – B

04X04 = 16 Marks

11. How to perform Line command using cartesian coordinate in AutoCAD?
12. What is AutoCAD?
13. What is orthographic projection?
14. Define prospective projection.

### Section – C

04X06 = 24 Marks

15. What is the difference between polyline and line?
16. Explain first angle projection.
17. How to perform Circle command by giving radius value?
18. How to perform Line command at an angle with certain distance using cartesian coordinate in AutoCAD?



# BHARTIYA SKILL DEVELOPMENT UNIVERSITY

**SET-B**

Registration No.:.....

## School of Manufacturing Skills

Session: 2021-22 (Winter Semester)

B. Voc. Program, III Semester,

End-Sem. Examination

Course Code: GEN1305

Time: 2 Hour

Course Name: Elementary Drawing Skills

Max. Marks: 50

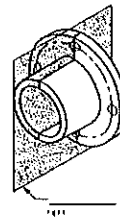
### Instructions:

1. Attempt all questions.
2. Section A contains 10 Questions. Each question carries 1 Mark.
3. Section B contains 04 Questions. Each question carries 4 Marks.
4. Section C contains 04 Questions. Each question carries 6 Marks.

### Section – A

10X01 = 10 Marks

1. What does this plane called as shown in fig 1.1?
  - a) Side plane.
  - b) Front plane.
  - c) Cutting plane.
  - d) None of the above
2. AutoCAD was developed in which year?
  - a) 1982.
  - b) 1983
  - c) 1984
  - d) None of the above
3. What is the shortcut key to create a Line?
  - a) PL
  - b) L
  - c) PE
  - d) None of the above
4. Which of the following is not the extension of AutoCAD drawing file?
  - a) DWG
  - b) DWX
  - c) TXT
  - d) None of the above
5. Standard size of drawing sheet as per BIS for A2 sheet?
  - a) 841mm X 1189mm
  - b) 549mm X 841mm
  - c) 420mm X 594mm
  - d) 700mm X 500mm





## BHARTIYA SKILL DEVELOPMENT UNIVERSITY

6. AutoCAD was developed by
  - a) Autodesk Inc.
  - b) Apple Inc.
  - c) Microsoft Inc.
  - d) None of the above
7. Which of the following workspaces are not available in AutoCAD?
  - a) 3D basics
  - b) Analysis of model
  - c) Drafting and Annotation
  - d) All of the above
8. In elementary drawing Ra value means?
  - a) Surface roughness
  - b) Tolerance limit
  - c) Chamfer value
  - d) None of the above
9. What does CAD stand for?
  - a) Computer aided design
  - b) Computer aided drawing
  - c) Computer aided drafting
  - d) None of the above
10. Why do we show hatching in the drawing?
  - a) To show the presence of material
  - b) To show the location of features
  - c) To show the hidden lines
  - d) None of the above

### Section – B

04X04 = 16 Marks

11. Why do we need AutoCAD?
12. How to perform Arc command using cartesian coordinate?
13. Define parallel projection.
14. What is orthographic projection?

### Section – C

04X06 = 24 Marks

15. Explain third angle projection.
16. How to perform Line command at an angle with certain distance using cartesian coordinate.
17. How to perform Circle command by giving diameter value.
18. What is the difference between polyline and line?



School of General Education

Session: 2021-22 (Winter Semester)

B. Voc. Program, 3<sup>rd</sup> Semester,

End-Sem. Examination

Course Code: GEN1308

Time: 2 Hours

Course Name: Basics of AutoCAD & SolidWorks

Max. Marks: 50

Section – A

10X01 = 10 Marks

Q1. "Xrefs" command is used to:

Answer: C. Import large drawings for reference.

Q2. By which of the following command, you can draw a rectangle in AutoCAD?

Answer: C. REC.

Q3. \_\_\_\_\_ key automatically activates the O snap feature of AutoCAD.

Answer: C. F3.

Q4. To obtain parallel lines, concentric circles and parallel curves \_\_\_\_\_ is used.

Answer: C. Offset.

Q5. Which of the following command in AutoCAD is used to create multiple viewports in the layout?

Answer: B. VPORTS.

Q6. What is the command to create a sphere in AutoCAD?

Answer: D. Sphere.

Q7. In \_\_\_\_\_ option you will create base of the cylinder by specifying three points.

Answer: B. 3P.

Q8. What is the file format for SolidWorks Part file?

Answer: B. .sldprt

Q9. Which sketch relation can you NOT apply to a rectangle?

Answer: D. Concentric.

Q10. What is required to create a new 2D sketch?

Answer: C. Any existing plane or planar face.

### Section – B

04X04 = 16 Marks

Q11. List out the major difference between the AutoCAD and SolidWorks?

**Answer:** The significant difference between the SolidWorks and AutoCAD is that

- AutoCAD was designed and developed as a 2D package and later evolved into a 3D package while SolidWorks is developed as 3D

Q12. List out the major or basic components of FeatureManager design tree?

**Answer:** The basic components of FeatureManager design tree includes

- Part
- Subassembly
- Flexible Subassembly

Q13. What do you understand by parametric constraints in AutoCAD?

**Answer:** Parametric drawing can be defined as a technology that is used for designing with constraints. Constraints are defined as restrictions and associations that are applied to 2D geometry. There are two types of constraints: **geometric and dimensional**. Geometric constraints are used to control the relationships of objects in respect to each other. Dimensional constraints are used to control the distance, angle, radius and length values of objects.

A blue cursor icon will always display when you move your cursor over an object that has constraints applied to it. Constraints provide a way to enforce requirements when looking at different designs or when making changes in the design phase of a project. With constraints you can:

- Include formulas and equations within dimensional constraints
- Maintain design requirements and specifications by constraining the geometry within a drawing
- Instantly apply multiple geometric constraints to objects
- Change the value of a variable to make design changes quickly.

Q14. Explain Cylinder command in detail with a suitable drawing.

**Answer:** Command: Cylinder

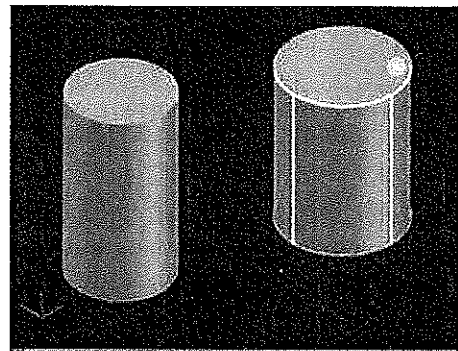
Alias: CYL

Home Tab -> Modeling Panel -> Cylinder.

Use: To create cylinder. Creating one is very similar to creating a circle, except that you are giving depth to it.

Methods to create cylinder:

1. 3P.
2. 2P.
3. Ttr.





There are two options related to height of cylinder:

1. 2Point.
2. Axis Endpoint.

**Section – C**

04X06 = 24 Marks

Q15. Explain Solid Primitives of AutoCAD 3D?

**Answer:** Solid Primitives are the 3D objects which are easily draw by modeling panel.

Shape	Command	Description
Box	Box	Creates a solid box after you provide 2 opposite corners.
Sphere	Sphere	Creates a solid sphere from a center point and radius.
Cylinder	Cylinder	Creates a straight cylinder from a center point, radius and height.
Cone	Cone	Creates a tapered cone from a center point, radius and height.
Wedge	Wedge	Creates a triangular wedge from 2 opposite points.
Torus	Torus	Creates a torus (donut shape) based on center point, radius and tube radius.

Q16. Mention what does SolidWorks Utilities provides?

**Answer:** SolidWorks utilities provides nine categories of functionality

- Compare Geometry: It allows you to compare what geometry is different between two designs using Geometry comparison, View synchronization or Face synchronization
- Compare Features: It differentiate between two models and how they are different in their designs and color-codes
- Compare Document: It enables you to compare properties between two SolidWorks document
- Feature Paint: It allows you to implement existing feature attributes and parameters from one feature to another
- Geometry Analysis: It enables you to identify the problematic imported geometry in a part based on user-specific parameters like minimum silver face size,
- Power Select: It helps you to select loops, faces, edges and features based on geometric criteria
- Power Editing: It helps you to locate, manipulate and change features within a model according to their parameters
- Thickness Analysis: It provides an analysis tool to find thin and thick regions in part documents
- Simplify Geometry: It helps you to streamline parts, assembly documents and create simplified configurations automatically

Q17. Explain the role & responsibilities of an AutoCAD designer.

**Answer:** CAD is the primary way in which drafters develop plans, drawings and sketches. Using AutoCAD software, created by Autodesk Inc., drafters prepare a visual depiction of a product to be constructed. Production and construction workers, including engineers, surveyors, architects and scientists, use CAD images to create plans to build and manufacture everything from buildings to toys to spacecraft. CAD drafters also have a working knowledge of traditional drafting methods.



There are many specialty areas in drafting, such as aeronautical, architectural, electrical and mechanical drafting. AutoCAD drafter's duties vary depending on their area of expertise. Drafters use CAD software to produce detailed drawings that include building dimensions, required materials and construction procedures. They use multiple angles and views to depict the association of components and systems. Drafters often consult with co-workers on design and layouts.

In some cases, drafters coordinate with builders to establish requirements and understand design concepts. When deficiencies occur, drafters revise designs to eliminate problems. Entry-level drafters work under the direction of supervisors.

Most drafters complete postsecondary training through a technical school or community college, which usually offer 1-year or 2-year programs in the field. Since few 4-year degree programs in drafting exist, drafters who want to pursue bachelor's degrees may major in a related field, such as engineering, architecture or mathematics. Technical school training is typically focused on the specific skills necessary for drafting, while community colleges require more general education courses in addition to drafting classes.

Drafters should be able to visually communicate concepts, draw well and be very detailed. The American Design Drafting Association (ADDA) offers professional certification for those wishing to demonstrate professional capabilities.

Q18. Explain the following commands:

- a. Sweep.
- b. Intersect.
- c. Interfere.

**Answer:** Sweep: This command is used to form a 2D object into 3D in a way through the axis associated with the object to be in shape. This axis can be in the form of a line or polyline, and the axis is usually called the path.

Intersect: This command is used to create a new solid from the intersecting volume of two or more solids or regions.

Interfere: This command is used to create a temporary 3D solid from the interferences between two sets of selected 3D objects.

School of General Education  
Session: 2021-22 (Winter Semester)  
B. Voc. Program, 3<sup>rd</sup> Semester,  
End-Sem. Examination

Course Code: GEN1308

Course Name: Basics of AutoCAD & SolidWorks

Time: 2 Hours

Max. Marks: 50

Instruction:

1. Answer all questions from section A, each question carries one mark.
2. Answer all question from section B, each question carries four marks.
3. Answer all question from section C, each question carries six marks.

Section – A

10X01 = 10 Marks

Q1. The primary difference between the Model tab and the Layout tab(s) is \_\_\_\_.

- A. the Model tab is used for drawing in 3D and a Layout is used for drawing in 2D.
- B. the Model tab is where you create the drawing and a Layout tab represents the sheet that you will plot or print on.
- C. the colour of the background.
- D. the Model tab displays the drawing you are copying from and the Layout tab is where you lay out the new drawing.

Q2. What does UCS means? (*In the context of CAD*)

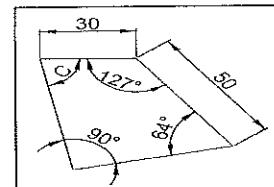
- A. User Coordinate System.
- B. United CAD Software.
- C. Unite, Cut and Select.
- D. Unique Coordinate System.

Q3. \_\_\_\_ key automatically activates the Grid feature of AutoCAD.

- A. F1.
- B. F7.
- C. F3.
- D. F4.

Q4. What is the value of C in the following image?

- A. 70°.
- B. 69°.
- C. 79°.
- D. 88°.



Q5. Which of the following command in AutoCAD is used to quickly select objects in the layout?

- A. EATTEDIT.
- B. VPORTS.
- C. QSELECT.
- D. GROUP.

Q6. What is the command to create an Array in AutoCAD?

- A. A (enter).
- B. Ar (enter).
- C. Ary (enter).
- D. None of the above.

Q7. In \_\_\_\_ option you will create base of the cylinder by specifying three points.

- A. 1P.
- B. 3P.
- C. 2P.
- D. None of the above.



Q8. What is the file format for SolidWorks Drawing file?

- A. .slddrw
- B. .sldprt
- C. .drwdot
- D. .asmdot

Q9. Which sketch relation you can't apply to a rectangle?

- A. Coincident.
- B. Collinear.
- C. Fix.
- D. Concentric.

Q10. What is required to create a new 2D sketch in SolidWorks?

- A. Any existing geometry.
- B. Any existing plane or curved face.
- C. Any existing plane or planar face.
- D. Any planar or curved surface.

**Section – B**

04X04 = 16 Marks

Q11. What are the file formats used in AutoCAD?

Q12. List out the major or basic components of FeatureManager design tree?

Q13. Write any 4-selection method to select objects in an AutoCAD Software.

Q14. List out the major difference between the SolidWorks and AutoCAD.

**Section – C**

04X06 = 24 Marks

Q15. What do you understand by clipping command in AutoCAD?

Q16. Mention what does SolidWorks Utilities provides?

Q17. Explain the role & responsibilities of a SolidWorks Designer.

Q18. Explain the followings commands:

- a) Offset.
- b) Trim.
- c) Copy.
- d) Move.
- e) Extend.
- f) Mirror.



# BHARTIYA SKILL DEVELOPMENT UNIVERSITY

Set B  
Answer Key

School of General Education  
Session: 2021-22 (Winter Semester)  
B. Voc. Program, 3<sup>rd</sup> Semester,  
End-Sem. Examination

Course Code: GEN1308

Time: 2 Hours

Course Name: Basics of AutoCAD & SolidWorks

Max. Marks: 50

## Section – A

10X01 = 10 Marks

Q1. The primary difference between the Model tab and the Layout tab(s) is \_\_\_\_.

Answer: B. the Model tab is where you create the drawing and a Layout tab represents the sheet that you will plot or print on.

Q2. What does UCS means? *(In the context of CAD)*

Answer: A. User Coordinate System.

Q3. \_\_\_\_ key automatically activates the Grid feature of AutoCAD.

Answer: B. F7.

Q4. What is the value of C in the following image?

Answer: C. 79°.

Q5. Which of the following command in AutoCAD is used to quickly select objects in the layout?

Answer: C. QSELECT.

Q6. What is the command to create an Array in AutoCAD?

Answer: A. A (enter).

Q7. In \_\_\_\_ option you will create base of the cylinder by specifying three points.

Answer: B. 3P.

Q8. What is the file format for SolidWorks Drawing file?

Answer: A. .slddrw

Q9. Which sketch relation you can't apply to a rectangle?

Answer: D. Concentric.

Q10. What is required to create a new 2D sketch in SolidWorks?

Answer: C. Any existing plane or planar face.

## Section – B

04X04 = 16 Marks

Q11. What are the file formats used in AutoCAD?

**Answer:** CAD (Computer-Aided Design) files may contain 2D or 3D designs. They are generated by CAD software programs, which can be used to create models or architecture plans. 2D CAD files are often referred to as drawings, while 3D files are often called models, parts, or assemblies.

Common CAD file extensions include .DWG, .DXF, .DGN, and .STL.



Q12. List out the major or basic components of FeatureManager design tree?

**Answer:** The basic components of FeatureManager design tree includes

- Part
- Subassembly
- Flexible Subassembly

Q13. Write any 4-selection method to select objects in an AutoCAD Software.

**Answer:**

- a) Window Selection.
- b) Crossing Window Selection.
- c) Implied Window Selection.
- d) The Undo Option.
- e) Selecting All Objects.
- f) Fence Selection.
- g) Window Polygon Selection.
- h) Crossing Polygon Selection.
- i) Using a Previous Selection.
- j) Selecting the Last Object.
- k) Adding and Removing Objects.

Q14. List out the major difference between the SolidWorks and AutoCAD.

**Answer:** The significant difference between the SolidWorks and AutoCAD is that

- AutoCAD was designed and developed as a 2D package and later evolved into a 3D package while SolidWorks is developed as 3D

### Section – C

04X06 = 24 Marks

Q15. What do you understand by clipping command in AutoCAD?

**Answer:** Command: Xclip or Clip.

Alias: Clip

Insert Tab -> Reference Panel -> Clip.

Use: Xrefs are frequently used to import large drawings for reference or backgrounds. Multiple Xrefs, such as floor plan, column grid layout, and site-plan drawing, might be combined into one file. One drawback to multiple Xrefs in earlier versions of AutoCAD was that the entire Xref was loaded into memory even if only a small portion of it was used for final plotted output.

Procedure:

Step 1: XCLIP <enter> or select "Clip" from reference panel.

Step 2: Select the XREF to which you want to apply the XCLIP <enter>.

Step 3: N <enter> for new boundary.

Step 4: Then select an option for generating the border for the XCLIP.

Step 5: "Select Polyline" = select an existing polyline that defines the border of the XCLIP.

Step 6: "Polygonal" = lets you create a closed polyline.

Step 7: "Rectangular" = Pick 2 Points to define the Xclip border.

Q16. Mention what does SolidWorks Utilities provides?

**Answer:** SolidWorks utilities provides nine categories of functionality

- Compare Geometry: It allows you to compare what geometry is different between two designs using Geometry comparison, View synchronization or Face synchronization
- Compare Features: It differentiate between two models and how they are different in their designs and color-codes



- Compare Document: It enables you to compare properties between two SolidWorks document
- Feature Paint: It allows you to implement existing feature attributes and parameters from one feature to another
- Geometry Analysis: It enables you to identify the problematic imported geometry in a part based on user-specific parameters like minimum silver face size,
- Power Select: It helps you to select loops, faces, edges and features based on geometric criteria
- Power Editing: It helps you to locate, manipulate and change features within a model according to their parameters
- Thickness Analysis: It provides an analysis tool to find thin and thick regions in part documents
- Simplify Geometry: It helps you to streamline parts, assembly documents and create simplified configurations automatically

Q17. Explain the role & responsibilities of a SolidWorks Designer.

**Answer:**

- Creating models, blueprints or visual renders of current mechanical designs.
- Conducting design reviews for existing assemblies with other relevant departments.
- Develops DriveWorks configuration projects to automate the creation of assemblies and prints for our manufacturing plant.
- Providing and maintaining documentation regarding the fabrication.
- Continuous Design Improvement.
- New Product Design/Development.
- Technical Documentation Content.
- Maintain/Update existing CAD Library.

Q18. Explain the followings commands:

- a) Offset.
- b) Trim.
- c) Copy.
- d) Move.
- e) Extend.
- f) Mirror.

**Answer:**

- a) **Offset:** This command is used to create concentric circles, parallel lines & parallel curves.
- b) **Trim:** This command is used to allow you to shorten an entity to an intersection or remove a section of an entity between two intersections. In order to trim an object, you must draw a second object which forms the "cutting edge". Cutting edges can be lines, x lines, rays, polyline, circles, arcs or ellipses. Blocks and text cannot be trimmed or used as cutting edge.
- c) **Copy:** This command can be used to create one or more duplicates of any drawing object or objects which you have previously created. Copy is a very useful and time-saving command because you can create very complex drawing elements & then simply copy them as many times as you like.
- d) **Move:** This command is used to displace object from one location to another location.



- e) **Extend:** This command can be used to extend a part of an object. In order to extend an object, you must draw a second object which forms the "boundary edge". Boundary edges can be lines, x lines, rays, polylines, circles, arcs or ellipses. Blocks & text cannot be extended or used as boundary edges.
- f) **Mirror:** This command is used to create mirrored copy of selected object.